



## Stainless Steel Square Insulated High Pressure Lance

**Models**                    **31219**  
   **31220**

### FEATURES

- Square ventilated durable blue nylon for operator comfort and safety.
- Suitable for hot or cold water blasting.
- Durable nozzle protector reduces nozzle clogging and damage.
- New higher pressure rating.

**SELECTION:** Select a lance that matches the system flow and pressure to assure safety during operation.

**INSTALLATION:** Install these single lances to any 1/4" gun. Use PTFE thread tape or pipe thread sealant to assure a leak proof fit.

### SPECIFICATIONS

	U.S. Measure	Metric Measure
<b>MODEL 31219</b>		
Maximum Flow .....	8 GPM	(30 L/M)
Maximum Pressure .....	5100 PSI	(350 BAR)
Maximum Temperature .....	320°F	(160°C)
Inlet Fitting.....	1/4" NPTM	(1/4" NPTM)
Nozzle Holder .....	1/4" NPTF	(1/4" NPTF)
Weight.....	31.6 oz.	(.89 kg)
Overall Length.....	32"	(800 mm)
<b>MODEL 31220</b>		
Maximum Flow .....	8 GPM	(30 L/M)
Maximum Pressure .....	5100 PSI	(350 BAR)
Maximum Temperature .....	320°F	(160°C)
Inlet Fitting.....	1/4" NPTM	(1/4" NPTM)
Nozzle Holder .....	1/4" NPTF	(1/4" NPTF)
Weight.....	33.8 oz.	(.96 kg)
Overall Length.....	42"	(1050 mm)

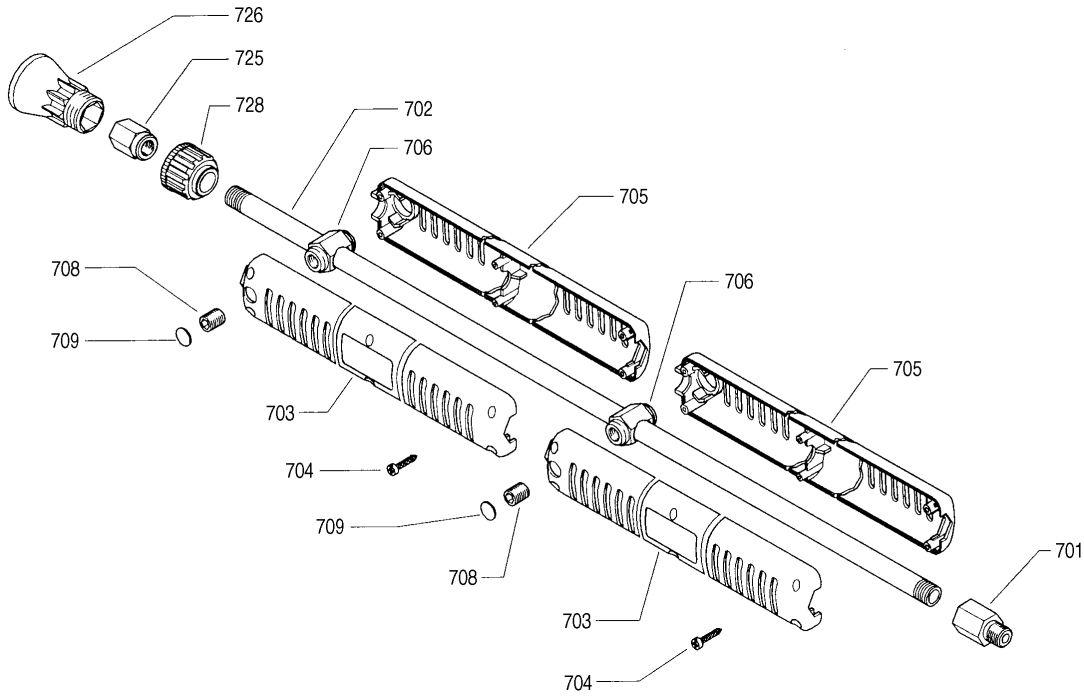
**OPERATION:** Flow goes through the lance as soon as the trigger on the gun is squeezed.

**⚠ WARNING**

Severe injury can occur with high pressure spray.  
Do not allow spray to contact any part of body.

*“Customer confidence is our greatest asset”*

# EXPLODED VIEW



## PARTS LIST

ITEM	P/N	MATL	DESCRIPTION	QTY
701	31868	S	Fitting, Inlet (1/4" NPTM x 1/4" NPTF)	1
702	31094	S	Tube (800 mm)	1
	31098	S	Tube (1050 mm)	1
703	—	NY	Cover, Lance - Left	1/2
704	—	STZP	Screw, Self Threading (M3.5 x 18)	6/12
705	—	NY	Cover, Lance - Right	1/2
706	31097	AL	Frame, Cover	1/2
708	32870	STZP	Screw, Cover (M10)	1/2
709	—	NY	Plug, Cover	1/2
725	32232	SSS	Holder, Nozzle (1/4" NPTF)	1
726	31060	—	Protector, Nozzle	1
728	31110	NY	Collar, Protector	1
735	31169	NY	<i>Assembly, Protector (Incls: 728, 726)</i>	1
736	31239	NY	<i>Assembly, Insulator (Incls: 703, 704, 705, 706)</i>	1/2

*Italics are optional items.*

Material Codes (Not Part of Part No.):

AL=Aluminum NY=Nylon S=304SS SSS=416SS STZP=Steel/Zinc Plated

## TROUBLESHOOTING

Leaking at gun nozzle	• Check fitting for proper sealant and reconnect to gun.
Leaking at nozzle	• Check for proper sealant at lance and nozzle protector connection and reconnect.
Broken nozzle protector	• Replace to assure nozzle life.

## WARRANTY

### 90 Day Warranty

Refer to complete CAT PUMPS Warranty for further information.

Products described hereon are covered by one or more of the following U.S. patents 3558244, 3652188, 3809508, 3920356, 3930756 and 5035580

### World Headquarters

#### CAT PUMPS

1681 - 94th Lane N.E. Minneapolis, MN 55449-4324

Phone (763) 780-5440 — FAX (763) 780-2958

e-mail: techsupport@catpumps.com

www.catpumps.com

### International Inquiries

FAX (763) 785-4329

e-mail: intlsales@catpumps.com



The Pumps with Nine Lives

### CAT PUMPS (U.K.) LTD.

1 Fleet Business Park, Sandy Lane, Church Crookham, Fleet

Hampshire GU52 8BF, England

Phone Fleet 44 1252-622031 — Fax 44 1252-626655

e-mail: sales@catpumps.co.uk

### N.V. CAT PUMPS INTERNATIONAL S.A.

Heiveldekens 6A, 2550 Kontich, Belgium

Phone 32-3-450.71.50 — Fax 32-3-450.71.51

e-mail: cpi@catpumps.be www.catpumps.be

### CAT PUMPS DEUTSCHLAND GmbH

Buchwiese 2, D-65510 Idstein, Germany

Phone 49 6126-9303 0 — Fax 49 6126-9303 33

e-mail: catpumps@t-online.de www.catpumps.de