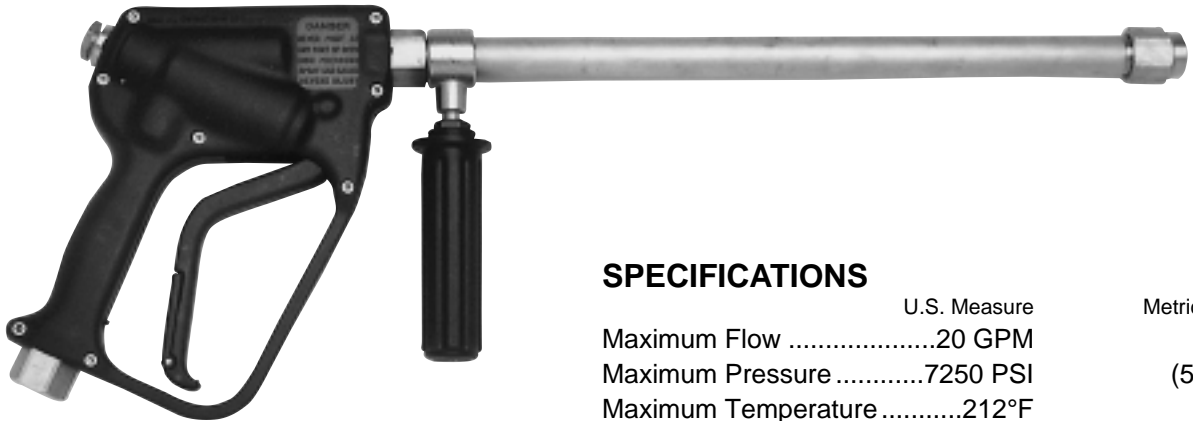




High Pressure Shut-Off Gun

Models 31250
31251, 31254



FEATURES

- Unique valve design permits a gradual pull on the trigger for gradual build up of pressure.
- Contour design with fully adjustable front grip provides comfort and safety.
- Automatic “LOCK-OFF” safety mechanism responds if trigger is released unintentionally.
- Stainless steel internal parts and forged inlet housing for durability.

SELECTION: Select a gun to match your system flow and pressure requirements, temperature and function being performed.

INSTALLATION: Install the appropriate regulating device when using a shut-off gun to avoid pressure spikes when the gun is shut off. Severe damage may occur to your system without this device.

SPECIFICATIONS

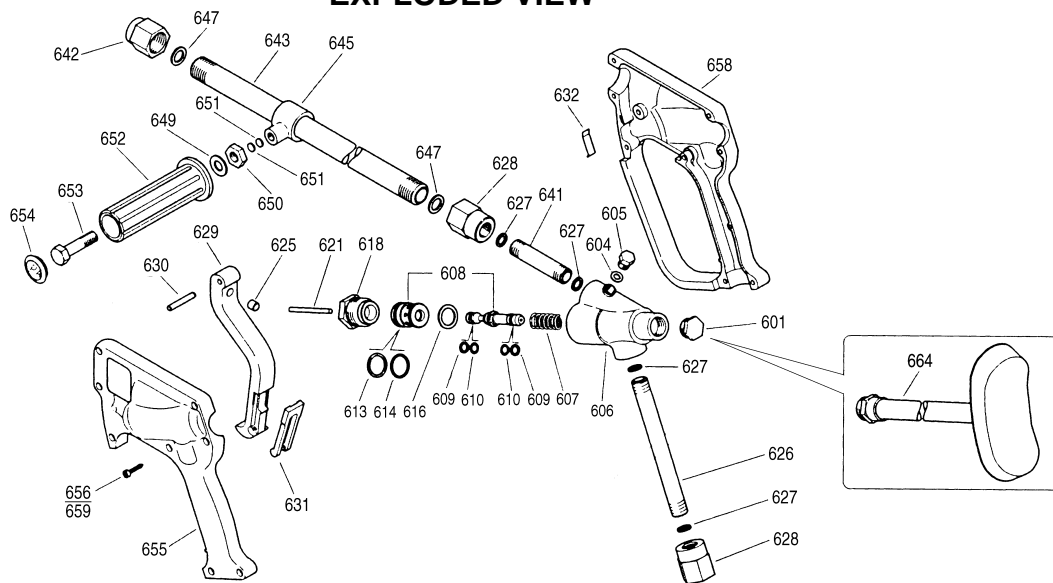
	U.S. Measure	Metric Measure
Maximum Flow	20 GPM	(76 L/M)
Maximum Pressure	7250 PSI	(500 BAR)
Maximum Temperature	212°F	(100°C)
Inlet Fitting.....	1/2" NPTF	(1/2" NPTF)
Outlet Fitting (Gun).....	1/2" NPTF	(1/2" NPTF)
Outlet Fitting (Lance).....	1/4" NPTF	(1/4" NPTF)
Weight (with Lance)		
31250	5.6 lbs.	(2.54 kg)
31251	6.9 lbs.	(3.13 kg)
31254	8.7 lbs.	(3.95 kg)
Dimensions (with Lance)		
31250	8.5" x 24.0"	(216 x 610 mm)
31251	8.5" x 40.0"	(216 x 1010 mm)
31254	8.5" x 58.25"	(216 x 1480 mm)

Gun is stamped with a European safety pressure. Use only at above specifications to assure proper gun life and performance.

OPERATION: Flow through the gun occurs by squeezing the trigger on the gun. Because of the unique valve design, a gradual pull on the trigger will permit a gradual build-up of pressure up to 7250 PSI. Squeezing the trigger lifts the piston off the seat and allows flow through the flow ports around the perimeter of the seat.

“Customer confidence is our greatest asset”

EXPLODED VIEW



PARTS LIST

ITEM	P/N	MATL	DESCRIPTION	QTY	ITEM	P/N	MATL	DESCRIPTION	QTY
601	36850	PE	Plug, Rear, Black	1	645	—	STCP	Yoke	1
604	—	BB	Washer, Plug	1	647	39003	CU	Washer, Extension	2
605	—	BB	Plug	1	649	—	STZP	Washer (M10)	1
606	—	BB	Body	1	650	—	STZP	Nut (M10)	1
607	32846	S	Spring, Piston	1	651	32869	BB	Plug	2
608	32837	S	Piston, Seat 2pc Set	1	652	—	NY	Grip	1
609	—	PTFE	Back-up-Ring, Piston	2	653	—	STZP	Screw (M10x40)	1
610	33559	FPM	O-Ring, Piston	2	654	—	NY	Plug, Grip	1
613	—	PTFE	Back-up-Ring, Seat	1	655	—	NY	Handle, Left Half	1
614	—	NBR	O-Ring, Seat	1	656	32413	STZP	Nut (M4)	8
616	—	CU	Washer (M16)	1	658	—	NY	Handle, Right Half	1
618	33845	BB	Retainer, Piston	1	659	32877	STZP	Screw, Self Threading (M3.5x18) (After 2/97)	8
621	32847	S	Rod, Actuator	1	32832	STZP	Screw (M4x20) (Prior to 2/97)	7	
625	—	S	Striker	1	32833	STZP	Screw (M4x14) (Prior to 2/97)	1	
626	32849	S	Pipe, Inlet	1	31069	—	—	Assy, Grip (Incls: 645, 649, 650, 651, 652, 653, 654)	1
627	—	CU	Washer, Seal	4	664	32645	—	Shoulder Support	1
628	32836	S	Fitting, Inlet (1/2" NPT)	2	665	33830	NY	Assy, Handle (Incls: 655, 658, 659)	1
629	—	NY	Trigger	1	666	32437	S	Assy, Lance/Grip - 400 mm (Incls: 642, 643, 645, 647, 649, 650, 651, 652, 653, 654)	1
630	—	BB	Pin, Trigger	1	32438	S	Assy, Lance/Grip - 800 mm (Incls: 642, 643, 645, 647, 649, 650, 651, 652, 653, 654)	1	
631	—	NY	Latch, Safety	1	32439	S	Assy, Lance/Grip - 1250 mm (Incls: 642, 643, 645, 647, 649, 650, 651, 652, 653, 654)	1	
632	—	S	Spring, Trigger	1	667	32829	—	Assy, Trigger (Incls: 625, 629, 630, 631, 632)	1
641	32848	S	Pipe, Discharge	1	668	32815	—	Kit, Gun Repair (Incls: 607, 608, 609, 610, 613, 614, 616, 621, 625)	1
642	32817	S	Holder, Nozzle (1/4")	1	669	34236	FPM	Kit, O-Ring (Incls: 609, 610, 613, 614)	1
643	33947	S	Lance - 400 mm (31250)	1					
	33948	S	Lance - 800 mm (31251)	1					
	33945	S	Lance - 1250 mm (31254)	1					

Italics are optional items.

MATERIAL CODES (Not Part of Part Number): BB=Brass CU=Copper FPM=Fluorocarbon
NBR=Medium Nitrile (Buna-N) NY=Nylon S=304SS STCP=Steel/Chrome Plated
STZP=Steel/Zinc Plated PE=Polyethylene PTFE=Pure Polytetrafluoroethylene

TROUBLESHOOTING

Liquid leaking from discharge of gun

- Foreign material lodged between piston and seat.
- Clean, examine parts for any damage and replace as needed.

Liquid leaking from trigger area

- Piston or seat pitted or worn. Replace as needed.
- Examine O-ring and back-up-ring on seat and replace as needed.
- Examine O-ring and back-up-ring on piston and replace as needed.
- Examine washer for seat and replace as needed.

Liquid leaking from rear of gun or plug, loss of pressure

- Examine O-ring and back-up-ring on piston and replace as needed.
- Check nozzle for foreign material lodged in nozzle or worn nozzle and replace as needed.

⚠ WARNING

**Severe injury can occur with high pressure spray.
Do not allow spray to contact any part of body.**

WARRANTY

90 Day Warranty

Refer to complete CAT PUMPS Warranty for further information.

Products described hereon are covered by one or more of the following U.S. patents 3558244, 3652188, 3809508, 3920356, 3930756 and 5035580

World Headquarters

CAT PUMPS

1681 - 94th Lane N.E. Minneapolis, MN 55449-4324

Phone (763) 780-5440 — FAX (763) 780-2958

e-mail: techsupport@catpumps.com

www.catpumps.com

International Inquiries

FAX (763) 785-4329

e-mail: intl@catpumps.com



The Pumps with Nine Lives

CAT PUMPS (U.K.) LTD.

1 Fleet Business Park, Sandy Lane, Church Crookham, Fleet
Hampshire GU52 8BF, England
Phone Fleet 44 1252-622031 — Fax 44 1252-626655
e-mail: sales@catpumps.co.uk

N.V. CAT PUMPS INTERNATIONAL S.A.

Heiveldekens 6A, 2550 Kontich, Belgium
Phone 32-3-450.71.50 — Fax 32-3-450.71.51
e-mail: cpi@catpumps.be www.catpumps.be

CAT PUMPS DEUTSCHLAND GmbH

Buchwiese 2, D-65510 Idstein, Germany
Phone 49 6126-9303 0 — Fax 49 6126-9303 33
e-mail: catpumps@t-online.de www.catpumps.de