



FEATURES

- Ultra compact and lightweight for flexibility.
- Simple right to left turn rotates ball to open high or low pressure nozzle.
- Stainless steel ball for long life.
- Simple inline low pressure adjustment permits chemical injection.



FEATURES

- Gradual adjustment from low pressure circular fan spray to center high pressure standard 1/4" nozzle.
- Convenient, sure grip nylon adjustment collar.
- Simple inline low pressure adjustment permits chemical injection.

SELECTION: Select a nozzle which will match the degree of flexibility and precision performance needed for your system flow. The CHANGE OVER NOZZLE requires both a low and high pressure nozzle selection. The ADJUSTABLE NOZZLE requires only a high pressure nozzle selection.

Change Over Nozzle

Model

32149

SPECIFICATIONS

	U.S. Measure	Metric Measure
Maximum Flow	7 GPM	(27 L/M)
Maximum Pressure	2900 PSI	(200 BAR)
Maximum Temperature	195°F	(90°C)
Inlet Port.....	1/4" BSPF	(1/4" BSPF)
Nozzle Fitting (x 2).....	1/4" NPTF	(1/4" NPTF)
Dimensions.....	1.88 x 1.5"	(48 x 38 mm)
Weight	5.8 oz.	(165 gms)

Adjustable Nozzle

Model

32151

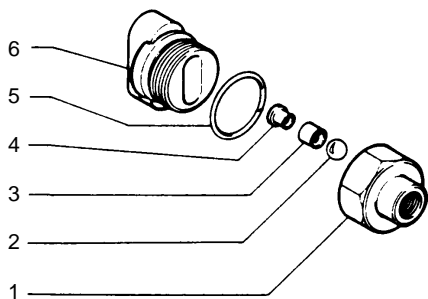
SPECIFICATIONS

	U.S. Measure	Metric Measure
Maximum Flow	7 GPM	(27 L/M)
Maximum Pressure	3650 PSI	(250 BAR)
Maximum Temperature	320°F	(160°C)
Inlet Port	1/4" BSPF	(1/4" BSPF)
Nozzle Fitting.....	1/4" NPTF	(1/4" NPTF)
Dimensions	1.88 x 1.5"	(48 x 38 mm)
Weight	4.3 oz.	(124 gms)

INSTALLATION: These adjustable pressure nozzles should be mounted in the discharge line following the shut-off gun. They should be used only in systems that fall within the flow and pressure requirements of the nozzle selected. They can be mounted to any standard 1/4" NPT lance.

(continued on back)

EXPLODED VIEW Change Over Nozzle Model 32149



PARTS LIST

ITEM	PART NO.	MATL	DESCRIPTION	QTY.
1	—	BB	Inlet Fitting	1
2	31075	SSSS	Ball	1
3	32418	NY	Seat	1
4	—	BB	Spacer	1
5	32820	NBR	O-Ring, Body	1
6	—	BB	Nozzle Holder (2-1/4")	1

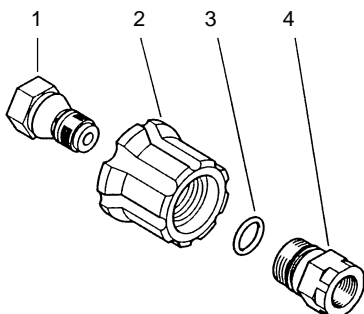
Material Codes (Not Part of Part No.):
BB=Brass NBR=Medium Nitrile (Buna-N) NY=Nylon SSSS=440SS

OPERATION: These adjustable pressure nozzle holders are designed to be used with a low pressure downstream chemical injector. Two convenient options allow easy adjustment from low to high pressure at the gun handle.

Adjustable Nozzle: The center of the adjustable nozzle will hold any 1/4" high pressure nozzle up to 3650 PSI rating. Shut the gun off by releasing trigger. With a gradual rotation of the black adjustment collar, the flow is directed from the center high pressure nozzle to a low pressure circular spray. When the pressure drops, the chemical injector will begin to draw chemical. After application, shut the gun off by releasing the trigger, gradually rotate the collar back to the high pressure nozzle and trigger gun to resume high pressure cleaning.

Change Over Nozzle: The Change Over nozzle has two 1/4" NPTF ports to hold any selection of low and high pressure nozzles required for the system up to 2900 PSI rating. Shut the gun off by releasing the trigger. With a slight right to left rotation, the stainless steel ball inside the nozzle holder will shift position and redirect the flow. Shut the gun off before each nozzle selection is made. **When selecting the low pressure nozzle to be used with the Change Over Nozzle, refer to the selection chart on the Chemical Injector data sheet to obtain the correct low pressure rating to permit proper chemical draw.**

EXPLODED VIEW Adjustable Nozzle Model 32151



PARTS LIST

ITEM	PART NO.	MATL	DESCRIPTION	QTY.
1	—	BB	Inlet Fitting	1
2	—	NY	Collar - Black	1
3	930992	NBR	O-Ring	1
4	—	BB	Discharge Fitting	1

Material Codes (Not Part of Part No.):
BB=Brass NBR=Medium Nitrile (Buna-N) NY=Nylon

For safety and consistent pressure adjustment, SHUT GUN OFF, MAKE ADJUSTMENT AND TRIGGER GUN to resume operation.

TROUBLESHOOTING

Problem	Probable Cause	Solution
Leaking	<ul style="list-style-type: none"> Worn O-rings Contaminated liquid 	<ul style="list-style-type: none"> Replace O-rings. Check water supply. Clean or replace O-rings.
Stays in High Pressure or Low Pressure	<ul style="list-style-type: none"> Damage or clogged nozzle Ball stuck Cracked fitting 	<ul style="list-style-type: none"> Check water supply. Replace nozzle. Build up of solution. Replace ball or seat. Hand tighten onto lance to avoid damage to fitting.

WARRANTY

90 Day Warranty

Refer to complete CAT PUMPS Warranty for further information.

Products described hereon are covered by one or more of the following U.S. patents 3558244, 3652188, 3809508, 3920356, 3930756 and 5035580

World Headquarters

CAT PUMPS

1681 - 94th Lane N.E. Minneapolis, MN 55449-4324

Phone (763) 780-5440 — FAX (763) 780-2958

e-mail: techsupport@catpumps.com

www.catpumps.com

International Inquiries

FAX (763) 785-4329

e-mail: intlsales@catpumps.com



The Pumps with Nine Lives

CAT PUMPS (U.K.) LTD.

1 Fleet Business Park, Sandy Lane, Church Crookham

FLEET, Hampshire, GU52 8BF, England

Phone Fleet 44 1252-622031 — Fax 44 1252-626655

e-mail: sales@catpumps.co.uk

N.V. CAT PUMPS INTERNATIONAL S.A.

Heiveldkens 6A, B-2550 Kontich, Belgium

Phone 32-3-450.71.50 — Fax 32-3-450.71.51

e-mail: cpi@catpumps.be www.catpumps.be

CAT PUMPS DEUTSCHLAND GmbH

Buchwiese 2, D-65510 Idstein, Germany

Phone 49 6126-9303 0 — Fax 49 6126-9303 33

e-mail: catpumps@t-online.de www.catpumps.de