



Square Insulated Dual Lance

S.S. Model **33200**
Zinc Model **33201**

FEATURES

- Ventilated square nylon insulator for operator comfort and safety.
- Front insulated adjustment handle for low to high pressure nozzle selection.
- Optional length for specialized cleaning.
- Ideal for use with adjustable chemical injector.

SELECTION: Select a lance that matches the system flow and pressure to assure safety during operation. Select standard Zinc plated or Stainless Steel for longer life.

INSTALLATION: Install these single lances to any 1/4" gun. Use PTFE thread tape or pipe thread sealant to assure an air tight fit and thread on hand tight until no leaking is visible.

SPECIFICATIONS

	U.S. Measure	Metric Measure
MODEL 33200		
Maximum Flow	10.5 GPM	(40 L/M)
Maximum Pressure	3650 PSI	(250 BAR)
Maximum Temperature	320°F	(160°C)
Inlet Fitting	1/4" NPTF	(1/4" NPTF)
Nozzle Fitting (2)	1/4" NPTF	(1/4" NPTF)
Weight.....	42.3 oz.	(1.20 kg)
Overall Length.....	43"	(1090 mm)
MODEL 33201		
Maximum Flow	10.5 GPM	(40 L/M)
Maximum Pressure	3650 PSI	(250 BAR)
Maximum Temperature	320°F	(160°C)
Inlet Fitting	1/4" NPTF	(1/4" NPTF)
Nozzle Fitting (2)	1/4" NPTF	(1/4" NPTF)
Weight.....	38.1 oz.	(1.08 kg)
Overall Length.....	35"	(890 mm)

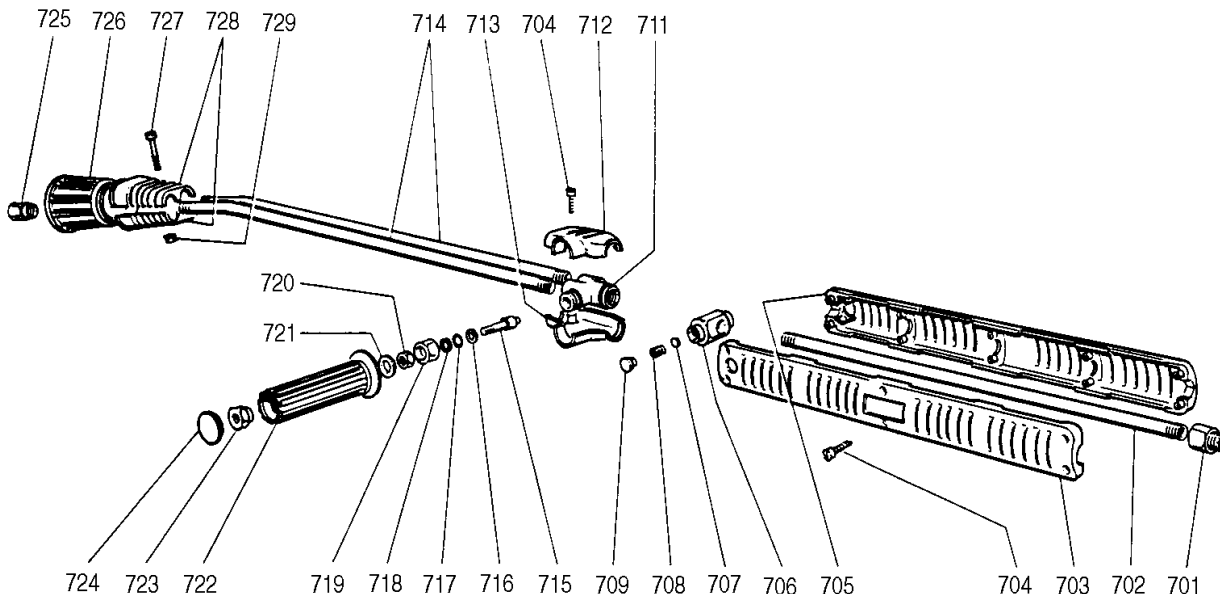
Lance is stamped with a European safety pressure. Use only at above specifications to assure proper lance life and performance.

OPERATION: Flow goes through the lance as soon as the trigger on the gun is squeezed.

⚠ WARNING

Severe injury can occur with high pressure spray.
 Do not allow spray to contact any part of body.

EXPLODED VIEW



PARTS LIST

ITEM	P/N	MATL	DESCRIPTION	QTY	ITEM	P/N	MATL	DESCRIPTION	QTY
701	32868	BB	Adapter	1	719	—	BB	Nut (M18)	1
702	—	SS	Tube - 1/4"	1	720	81109	STZP	Nut (M8 x 1.25))	1
		ZP	Tube - 1/4"	1	721	—	STZP	Washer (M18)	1
703	—	NY	Cover, Lance - Left	1	722	—	NY	Handle	1
704	—	STZP	Screw, Self-Threading (M3.5 x 18)	7	723	—	BB	Plug, Handle	1
705	—	NY	Cover, Lance - Right	1	724	—	NY	Plug, Grip	1
706	—	BB	Frame, Cover	1	725	32053	STZP	Holder, Nozzle (1/4" NPTF)	2
707	32869	BB	Spacer	1	726	—	RBR	Guard, Nozzle	1
708	32870	STZP	Screw, Cover (M10)	1	727	—	STL	Screw (M4 x 20)	1
709	32871	NY	Plug, Cover	1	728	—	NY	Protector Extension	1
711	—	BB	Housing	1	729	—	STL	Nut (M4)	1
712	—	NY	Cover, Housing - Upper	1	730	32514	BB	Nozzle - 1/4" (7.5 GPM, 145 PSI)	1
713	—	NY	Cover, Housing - Lower	1	735	32864	NY	Guard, Nozzle Assy (Incls: 726-729)	1
714	—	ZP	Tube - 1/4"	2	736	32865	—	Assy, Insulator (Incls: 703-706)	1
		SS	Tube - 1/4"	2	737	32867	—	Cover, Housing Assy (Incls: 704, 712, 713)	1
715	33694	S	Valve, Needle	1	738	32866	NY	Handle Control, Assy (Incls: 715-724)	1
716	—	STZP	Spacer	1	740	39012	NBR	Kit, O-Ring (Incls: 716, 717, 718)	1
717	—	FPM	O-Ring	1					
718	32873	PTFE	Back-Up-Ring	1					

Italics are optional items.

Material Codes (Not Part of Part No.): BB=Brass CU=Copper FPM=Fluorocarbon NBR=Medium Nitrile (Buna-N) NY=Nylon
PTFE=Pure Polytetrafluoroethylene RBR=Rubber S=304SS SS=316SS STL=Steel STZP=Steel/Zinc Plated ZP=Zinc Plated

TROUBLESHOOTING

- | | |
|----------------------------------|--|
| Leaking at gun nozzle connection | • Check fitting for proper sealant and reconnect to gun. |
| Leaking at nozzle | • Check for proper sealant at lance and nozzle protector connection and reconnect. |
| Broken nozzle protector | • Replace to assure nozzle life. |

WARRANTY

90 Day Warranty

Refer to complete CAT PUMPS Warranty for further information.

Products described hereon are covered by one or more of the following U.S. patents 3558244, 3652188, 3809508, 3920356, 3930756 and 5035580

World Headquarters

CAT PUMPS

1681 - 94th Lane N.E. Minneapolis, MN 55449-4324

Phone (763) 780-5440 — FAX (763) 780-2958

e-mail: techsupport@catpumps.com

www.catpumps.com

International Inquiries

FAX (763) 785-4329

e-mail: intl@catpumps.com



The Pumps with Nine Lives

CAT PUMPS (U.K.) LTD.

1 Fleet Business Park, Sandy Lane, Church Crookham, Fleet

Hampshire GU52 8BF, England

Phone Fleet 44 1252-622031 — Fax 44 1252-626655

e-mail: sales@catpumps.co.uk

N.V. CAT PUMPS INTERNATIONAL S.A.

Heiveldekens 6A, 2550 Kontich, Belgium

Phone 32-3-450.71.50 — Fax 32-3-450.71.51

e-mail: cpi@catpumps.be www.catpumps.be

CAT PUMPS DEUTSCHLAND GmbH

Buchwiese 2, D-65510 Idstein, Germany

Phone 49 6126-9303 0 — Fax 49 6126-9303 33

e-mail: catpumps@t-online.de www.catpumps.de