



High Pressure Shut-off Guns

Standard Model	35150
Weep Model	35151

FEATURES

- Durable, heat-resistant, thermoplastic body and trigger.
- Contour design and smooth trigger action reduces operator fatigue.
- Stainless steel ball and seat assures thousands of continuous cycles.
- Choice of standard or freeze protection “weep” with color coded **blue** safety latch.

SELECTION: Select a gun to match your system flow and pressure requirements, temperature and function being performed.

INSTALLATION: Install the appropriate relief valve when using a shut-off gun to avoid pressure spikes when the gun is shut off. Severe damage can occur to your system without this device. When operating in freezing conditions, use the weep version.

SPECIFICATIONS

	U.S. Measure	Metric Measure
Maximum Flow	8.0 GPM	(30 L/M)
Maximum Pressure.....	4500 PSI	(310 BAR)
Maximum Temperature	320°F	(160°C)
Inlet Port	3/8" NPTF	(3/8" NPTF)
Discharge Port	1/4" NPTF	(1/4" NPTF)
Weight.....	23.4 oz.	(0.728 kg)
Dimensions.....	7.2x7.2x1.26"	(183x183x32 mm)

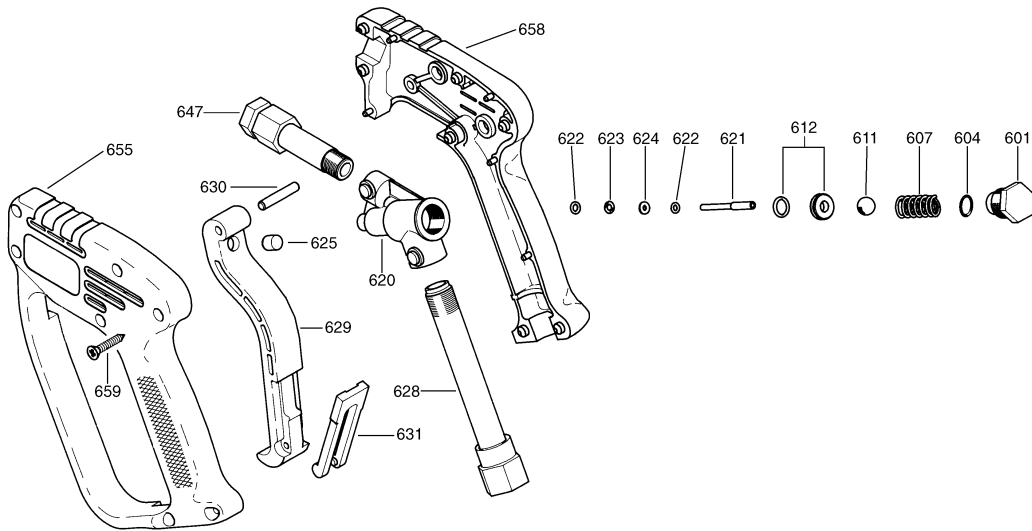
Gun is stamped with a European safety pressure. Use only at above specifications to assure proper gun life and performance.

OPERATION: Flow through the gun occurs by squeezing the trigger on the gun. This activates the actuator rod, lifting the ball off the seat, allowing the pumped liquid to flow through the valve body chamber in the gun. Releasing the trigger shuts off the flow.

A special safety latch locks the gun closed to prevent unintentional operation when left unattended. This latch is blue on the weep version.

“Customer confidence is our greatest asset”

EXPLODED VIEW



PARTS LIST

ITEM	PART NUMBER		DESCRIPTION	QTY		
	35150	MATL	35151	MATL		
601	31626	BB	31626	BB	Spring Retaining Nut	1
604	—	NBR	—	NBR	O-Ring, Nut	1
607	31282	S	31282	S	Spring	1
611	36099	SSSS	36099	SSSS	Ball	1
612	39051	NBR	31636	NBR	Seat, w/O-Ring	1
620	—	BB	—	BB	Body	1
621	35073	S	35073	S	Rod, Actuator	1
622	35074	PTFE	35074	PTFE	Back-up-Ring, Actuator Rod	2
623	35020	FPM	35020	FPM	O-Ring, Actuator Rod	1
624	39004	S	39004	S	Washer, Actuator Rod	1
625	—	NY	—	NY	Striker	1
628	33305	BB	33305	BB	Fitting, Inlet (3/8" NPT)	1
629	—	NY	—	NY	Trigger, Black	1
630	—	BB	—	BB	Pin, Trigger	1
631	—	NY	—	—	Latch, Safety, Red	1
	—	—	—	NY	Latch, Safety, Blue	1
647	35009	BB	35009	BB	Fitting, Discharge (1/4" NPT)	1
655	—	NY	—	NY	Handle, Gun, Left	1
658	—	NY	—	NY	Handle, Gun, Right	1
659	—	—	—	—	Screw, Self Threading (M3.5x18)	7
665	<i>31650</i>	—	<i>31650</i>	—	<i>Assembly, Handle (Incls: 655, 658, 659)</i>	1
667	39629	—	—	—	Assembly, Trigger, Red (Incls: 625, 629, 630, 631)	1
—	—	—	35402	—	Assembly, Trigger, Blue (Incls: 625, 629, 630, 631)	1
668	31645	—	31681	—	Kit, Repair (Incls: 604, 611, 612, 621, 622, 623)	1

Bold print part numbers are unique to a particular gun model. Italics are optional items.

MATERIAL CODES (Not Part of Part Number): BB=Brass FPM=Fluorocarbon

NBR=Medium Nitrile (Buna-N) NY=Nylon PTFE=Pure Polytetrafluoroethylene S=304SS SSSS=440SS

TROUBLESHOOTING

Water leaking out the discharge of the gun

- Object lodged between the seat and ball.
- Seat worn.
- O-Ring under seat worn.

Water leaking out the lever area

- O-Ring around actuator rod worn.

⚠ WARNING

Severe injury can occur with high pressure spray. Do not allow spray to contact any part of body.

WARRANTY

90 Day Warranty

Refer to complete CAT PUMPS Warranty for further information.

Products described hereon are covered by one or more of the following U.S. patents 3558244, 3652188, 3809508, 3920356, 3930756 and 5035580

World Headquarters

CAT PUMPS

1681 - 94th Lane N.E. Minneapolis, MN 55449-4324

Phone (763) 780-5440 — FAX (763) 780-2958

e-mail: techsupport@catpumps.com

www.catpumps.com

International Inquiries

FAX (763) 785-4329

e-mail: intlsales@catpumps.com



The Pumps with Nine Lives

CAT PUMPS (U.K.) LTD.

1 Fleet Business Park, Sandy Lane, Church Crookham

FLEET, Hampshire, GU52 8BF, England

Phone Fleet 44 1252-622031 — Fax 44 1252-626655

e-mail: sales@catpumps.co.uk

N.V. CAT PUMPS INTERNATIONAL S.A.

Heiveldkens 6A, B-2550 Kontich, Belgium

Phone 32-3-450.71.50 — Fax 32-3-450.71.51

e-mail: cpi@catpumps.be www.catpumps.be

CAT PUMPS DEUTSCHLAND GmbH

Buchwiese 2, D-65510 Idstein, Germany

Phone 49 6126-9303 0 — Fax 49 6126-9303 33

e-mail: catpumps@t-online.de www.catpumps.de