



Shut-off Guns

Standard Model **36140**
Weep Model **36141**

FEATURES

- Durable Z-Nylon body with new heat resistant trigger means longer life, less breakage.
- Contour design and smooth trigger action reduces operator fatigue.
- Quality construction stainless steel ball and seat assures thousands of continuous cycles.
- Choice of standard or freeze protection “weep” version.
- Special safety-lock prevents unintentional operation.

SELECTION: Select a gun to match your system flow and pressure requirements, temperature and function being performed.

INSTALLATION: Install the appropriate relief valve when using a shut-off gun to avoid pressure spikes when the gun is shut off. Severe damage can occur to your system without this device. When operating in freezing conditions, use the weep version. For field conversion a standard gun may be modified to weep by

SPECIFICATIONS

	U.S. Measure	Metric Measure
Maximum Flow	10.5 GPM	(40 L/M)
Maximum Pressure.....	4500 PSI	(310 BAR)
Maximum Temperature.....	320°F	(160°C)
Inlet Port (1)	3/8" NPTF	(3/8" NPTF)
Discharge Port (1).....	1/4" NPTF	(1/4" NPTF)
Weight.....	27.5 oz.	(0.779 kg)
Dimensions	8.26x5.39x1.15" (210x137x29 mm)	

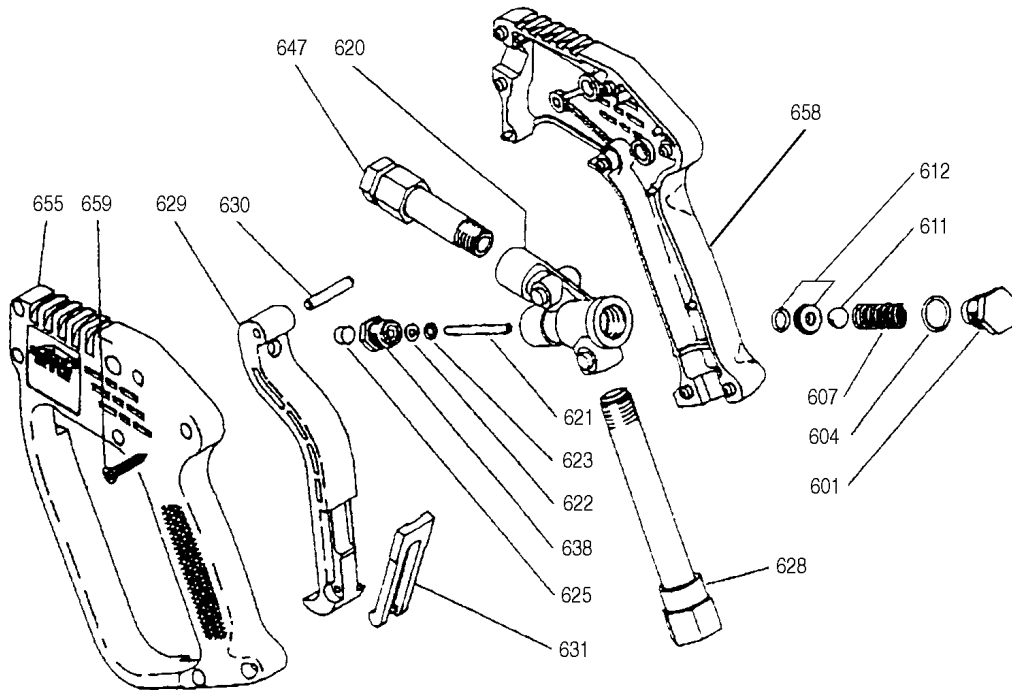
Gun is stamped with a European safety pressure. Use only at above specifications to assure proper gun life and performance.

inverting the standard seat to the notched weep side. It is suggested the color coded trigger also be used when converting to weep.

OPERATION: Flow through the gun occurs by squeezing the trigger on the gun. This activates the actuator rod, lifting the ball off the seat, allowing the pumped liquid to flow through the valve body chamber in the gun. Releasing the trigger shuts off the flow.

“Customer confidence is our greatest asset”

EXPLODED VIEW



PARTS LIST

ITEM	P/N	MATL	DESCRIPTION	QTY	ITEM	P/N	MATL	DESCRIPTION	QTY
601	33785	BB	Nut, Spring Retaining (M16)	1	630	—	BB	Pin (5x27 mm)	1
604	33564	NBR	O-Ring, Retaining Nut - 90D	1	631	—	NY	Latch, Safety, Black	1
607	33459	S	Spring, Ball	1	638	31001	BB	Guide, Rod	1
611	32289	SSSS	Ball, Seat	1	647	32006	BB	Fitting, Discharge (1/4" NPTF)	1
612	31632	NBR	Seat, Notched w/O-Ring	1	655	—	Z	Handle, Left	1
620	—	BB	Body	1	658	—	Z	Handle, Right	1
621	33787	S	Rod, Actuator	1	659	—	S	Screw, Phillips (M3.5x18)	7
622	35074	PTFE	Back-up-Ring, Actuator Rod	1	665	39300	Z	Assy, Handle (Incls: 655, 658, 659)	1
623	35020	FPM	O-Ring, Actuator Rod	1	667	35401	—	Assy, Trigger, Black (Incls: 625, 629, 630, 631)	1
625	—	NY	Striker	1	668	35402	—	Assy, Trigger, Blue (Incls: 625, 629, 630, 631)	1
628	33305	BB	Fitting, Inlet (3/8" NPTF)	1				Kit, Repair (Incls: 604, 611, 612, 621, 622, 623)	1
629	—	NY	Trigger, Black	1					

MATERIAL CODES (Not Part of Part Number): BB=Brass FPM=Fluorocarbon NBR=Medium Nitrile (Buna-N) NY=Nylon
 PTFE=Pure Polytetrafluoroethylene S=304SS SSSS=440SS STZP=Steel/Zinc Plated Z=Nylon

⚠ WARNING

**Severe injury can occur with high pressure spray.
 Do not allow spray to contact any part of body.**

OPTIONAL LANCES

- 31219 Square Insulated Single Lance - S.S. — 32-1/4", 5100 PSI
- 31220 Square Insulated Single Lance - S.S. — 42-1/4", 5100 PSI

TROUBLESHOOTING

Water leaking out the discharge of the gun

- Object lodged between the seat and ball.
- Seat worn.
- O-Ring under seat worn.

Water leaking out the lever area

- O-Ring around push rod worn.

WARRANTY

90 Day Warranty

Refer to complete CAT PUMPS Warranty for further information.

Products described hereon are covered by one or more of the following U.S. patents 3558244, 3652188, 3809508, 3920356, 3930756 and 5035580

World Headquarters

CAT PUMPS

1681 - 94th Lane N.E. Minneapolis, MN 55449-4324

Phone (763) 780-5440 — FAX (763) 780-2958

e-mail: techsupport@catpumps.com

www.catpumps.com

International Inquiries

FAX (763) 785-4329

e-mail: intlsales@catpumps.com



The Pumps with Nine Lives

CAT PUMPS (U.K.) LTD.

1 Fleet Business Park, Sandy Lane, Church Crookham

FLEET, Hampshire, GU52 8BF, England

Phone Fleet 44 1252-622031 — Fax 44 1252-626655

e-mail: sales@catpumps.co.uk

N.V. CAT PUMPS INTERNATIONAL S.A.

Heiveldekens 6A, B-2550 Kontich, Belgium

Phone 32-3-450.71.50 — Fax 32-3-450.71.51

e-mail: cpi@catpumps.be www.catpumps.be

CAT PUMPS DEUTSCHLAND GmbH

Buchwiese 2, D-65510 Idstein, Germany

Phone 49 6126-9303 0 — Fax 49 6126-9303 33

e-mail: catpumps@t-online.de www.catpumps.de