

Gas engine must be purchased separately.

## Direct-Drive Plunger Pump

**Models**      **3DX25GSI**  
                      **3DX27GSI**  
                      **3DX29GSI**  
                      **3DX30GSI**

### PUMP FEATURES

- Triplex plunger design provides a smooth liquid flow.
- Specially formulated Hi-Pressure Seals and concentric solid ceramic plungers assure true wear surface and extended seal life.
- Ultra-compact, hollow-shafted pump for direct mounting to gas engine.
- Integral Regulating Unloader with built-in by-pass standard on all units to assure system pressure control and pump protection.
- Fixed chemical injector standard on all units offers cleaning flexibility.
- Stacked valve design for ease in servicing.
- Swivel garden hose fitting with filter screen for easy inlet connection.

### COMMON PUMP SPECIFICATIONS

Inlet Pressure Range.....	Flooded to 60 PSI	(Flooded to 4 Bar)
Bore.....	0.630"	(16 mm)
Max. Liquid Temperature.....	140° F	(60° C)
Above 130°F call CAT PUMPS for inlet conditions and elastomer recommendations.		
Crankcase Capacity.....	8.5 oz.	(0.25 L)
Inlet Port (1).....	3/4" GHF	(3/4" GHF)
Discharge Port (1).....	M18x1.0	(M18x1.0)
Chemical Discharge Port (1).....	3/8" NPTM	(3/8" NPTM)
Chemical Injection Barb.....	8/32" UNF	(8/32" UNF)
Shaft Diameter.....	3/4"	(19.0 mm)
Weight.....	10.7 lbs.	(4.9 kg)
Dimensions.....	7.99 x 7.75 x 6.29"	(203 x 197 x 160 mm)

#### **⚠ WARNING**

All systems require both a primary pressure regulating device (i.e., regulator, unloader) and a secondary pressure safety relief device (i.e., pop-off valve, safety valve). Failure to install such relief devices could result in personal injury or damage to the pump or to system components. CAT PUMPS does not assume any liability or responsibility for the operation of a customer's high pressure system.

### SPECIFICATIONS

	U.S. Measure	Metric Measure
<b>MODEL 3DX25GSI</b>		
Flow.....	2.5 GPM	(9.5 L/M)
Max. Discharge Pressure.....	2500 PSI	(175 BAR)
Max. RPM.....	3450 RPM	(3450 RPM)
Stroke.....	0.204"	(5.2 mm)
<b>MODEL 3DX27GSI</b>		
Flow.....	2.7 GPM	(10.2 L/M)
Max. Discharge Pressure.....	2500 PSI	(175 BAR)
Max. RPM.....	3450 RPM	(3450 RPM)
Stroke.....	0.220"	(5.6 mm)
<b>MODEL 3DX29GSI</b>		
Flow.....	2.9 GPM	(10.9 L/M)
Max. Discharge Pressure.....	2500 PSI	(175 BAR)
Max. RPM.....	3450 RPM	(3450 RPM)
Stroke.....	0.232"	(5.9 mm)
<b>MODEL 3DX30GSI</b>		
Flow.....	3.0 GPM	(11.4 L/M)
Max. Discharge Pressure.....	2500 PSI	(175 BAR)
Max. RPM.....	3450 RPM	(3450 RPM)
Stroke.....	0.244"	(6.2 mm)

### ELECTRIC HORSEPOWER REQUIREMENTS

MODEL	FLOW		PRESSURE					RPM
	U.S. GPM	L/M	PSI 1000 BAR 70	PSI 1200 BAR 85	PSI 1500 BAR 105	PSI 2000 BAR 140	PSI 2500 BAR 175	
<b>3DX25GSI</b>	2.5	9.5	1.7	2.0	2.6	3.4	4.3	3450
<b>3DX27GSI</b>	2.7	10.2	1.8	2.2	2.8	3.7	4.6	3450
<b>3DX29GSI</b>	2.9	10.9	1.9	2.4	3.0	4.0	5.0	3450
<b>3DX30GSI</b>	3.0	11.4	2.1	2.5	3.1	4.1	5.2	3450

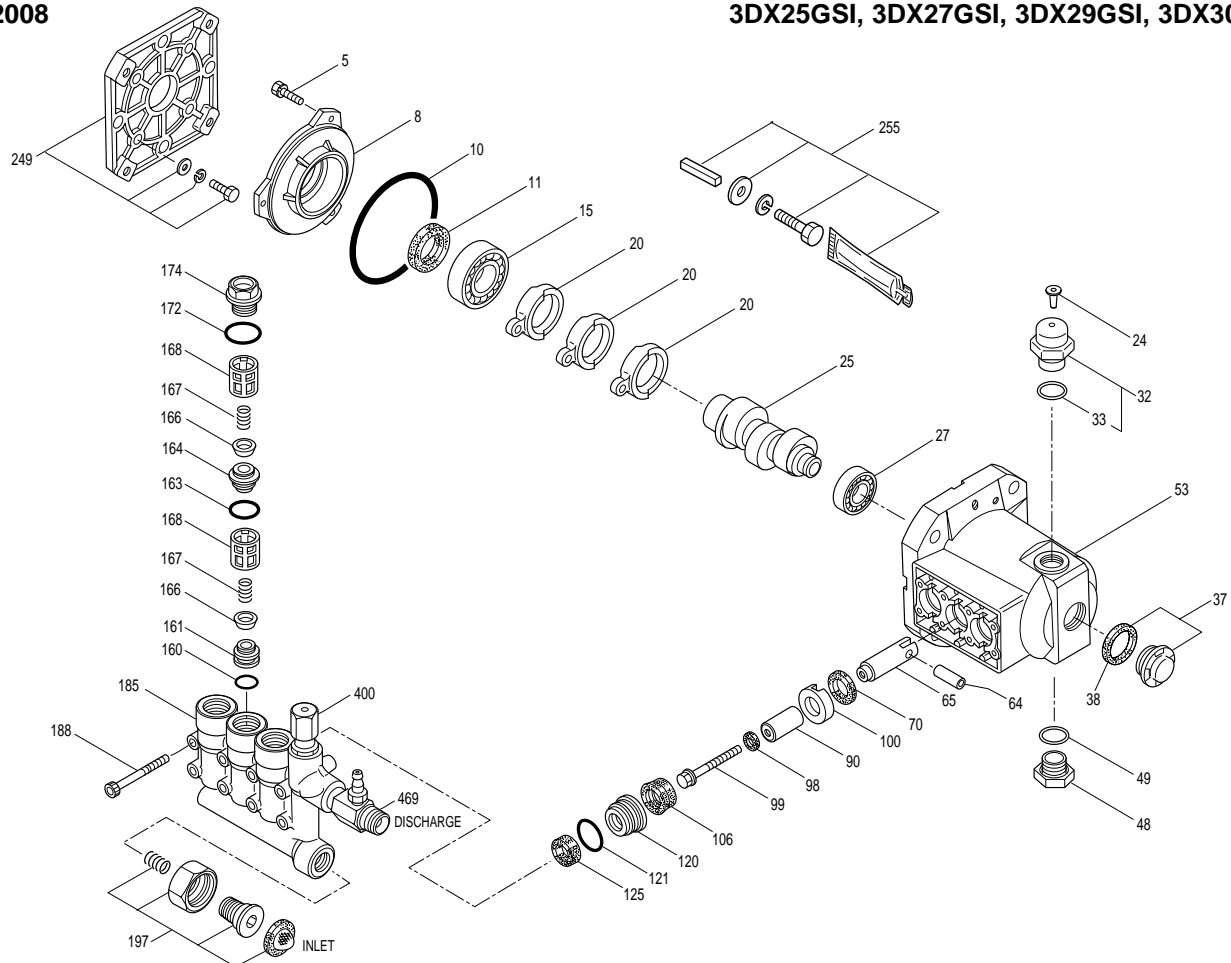
<b>DETERMINING THE PUMP R.P.M.</b>	<u>Rated G.P.M.</u>	=	"Desired" G.P.M.
	<u>Rated R.P.M.</u>	=	"Desired" R.P.M.
<b>DETERMINING THE REQUIRED H.P.</b>	<u>GPM x PSI</u>	=	Electric Brake
	1460	=	H. P. Required
<b>DETERMINING MOTOR PULLEY SIZE</b>	<u>Motor Pulley O.D.</u>	=	<u>Pump Pulley O.D.</u>
	<u>Pump R.P.M.</u>	=	<u>Motor R.P.M.</u>

Note: Consult engine manufacturer when using gas or diesel engine. Refer to pump **Service Manual** for repair procedure, additional technical information and **pump warranty**.

*"Customer confidence is our greatest asset"*

# EXPLODED VIEW

July 2008



# 3DX PLUNGER PUMP MODEL

3DX25GSI, 3DX27GSI, 3DX29GSI, 3DX30GSI

## PARTS LIST

ITEM	PN	MATL	DESCRIPTION	QTY	ITEM	PN	MATL	DESCRIPTION	QTY	
5	547161	STCP	Screw, HHC Sems (M6x14)	3	164	545178	S	Seat, Discharge [1/04]	3	
	549360	STCP R	Screw, HHC Sems (M6x14)	3	166	46764	S	Valve	6	
8	547153	AL	Cover, Bearing [4/05]	1	167	46865	S	Spring	6	
10	14041	NBR	O-Ring, Bearing Cover - 70D	1	168	543988	PVDF	Retainer, Spring	6	
11	55337	NBR	Seal, Oil - 70D	1	172	142807	NBR	O-Ring, Plug - 90D	3	
15	14488	STL	Bearing, Ball	1	174	46759	BB	Plug, Valve (M20x1.5)	3	
20	547048	TNM	Rod, Connecting	3		35759	BB	Plug, Valve w/1/4" NPT Port for Accessory	1	
24	76045	LDPE	Plug, Oil Cap	1	185	† 548592	BB	Head, Manifold w/Integral Unloader Body	1	
25	547307	CM	Crankshaft, 3450 RPM, 3/4", 5.2 mm [01/04]	1	188	542406	STZP	Screw, HSH (M6x60)	8	
	548195	CM	Crankshaft, 3450 RPM, 3/4", 5.6 mm [01/04]	1		549357	STCP R	Screw, HSH (M6x60)	8	
	547946	CM	Crankshaft, 3450 RPM, 3/4", 5.9 mm [01/04]	1	197	941516	BB	Assy, GH, 3/8" NPTM (Not Included on 3DX29GSI)	1	
	548196	CM	Crankshaft, 3450 RPM, 3/4", 6.2 mm [01/04]	1		—	—	Nut, Swivel (3/4" FGH)	1	
27	56084	STL	Bearing, Ball [11/03]	1		—	—	Fitting, (3/8" NPTM)	1	
32	547961	RTP	Cap, Oil Filler w/O-Ring [01/04]	1		—	—	Screen, Inlet	1	
33	14179	NBR	O-Ring, Oil Filler Cap - 70D	1		—	—	Spring	1	
37	92241	—	Gauge, Bubble Oil w/Gasket	1	249	30520	—	Assy, Adapter Mount, Standard, GAS	1	
38	44428	NBR	Gasket, Flat Flex, Oil Gauge - 80D	1		46271	AL	Flange	1	
48	44842	NY	Plug, Drain	1		549351	STCP R	Screw, HH (5/16"-24x20)	4	
49	14179	NBR	O-Ring, Drain Plug - 70D	1		15845	STZP	Lockwasher (M8)	4	
53	548062	AL	Crankcase [02/05]	1		126232	STCP R	Lockwasher (M8)	4	
64	46229	CM	Pin, Crosshead	3		126573	STCP R	Washer, Flat (M8)	4	
65	542402	BBCP	Rod, Plunger	3	255	30516	STZP	Assy, Bolt Mount, GAS	1	
70	47215	NBR	Seal, Oil - 70D	3		126543	STCP R	Screw, HH (3/8"-16x1-3/8")	4	
90	542403	CC	Plunger (M16x27)	3		127024	STZP R	Washer, Flat (3/8")	4	
98	46730	NBR	Washer, Seal - 90D	3		127025	STZP R	Lockwasher (3/8")	4	
99	542405	S	Retainer, Plunger (M6x35)	3		6106	—	Lubricant, Antiseize	1	
100	46233	NY	Retainer, Seal	3		34050	STL	Key (3/16x3/16x27 HD)	1	
106	48222	NBR	Seal, LPS w/S-Spg	3	300	30530	NBR	Kit, Seal (Incls: 98,106,121,125)	1	
120	547357	BB	Case, Seal	3	310	33057	NBR	Kit, Valve (Incls: 160,161,163,164,166,167,168,172)	1	
121	13976	NBR	O-Ring, Seal Case - 70D	3		400	—	Unloader, Modular (See Individual Parts)	1	
125	547157	SNG	Seal, HPS w/S	3		469	7232	BB	Injector, Chemical Fixed - 3DX25, 27, 30GSI	1
160	13965	NBR	O-Ring, Inlet Valve Seat - 70D	3			7242	BB	Injector, Chemical Fixed - 3DX29GSI	1
161	545177	S	Seat, Inlet	3						
163	19285	NBR	O-Ring, Discharge Seat - 70D	3						

*Italics are optional items.* [ ] Date of latest production change. † Production parts different than repair parts. R Components comply with RoHS Directive.

See Tech Bulletins 02, 024, 036, 043, 055, 074 and 083 for additional information.

MATERIAL CODES (Not Part of Part Number): AL=Aluminum BB=Brass BBCP=Brass/Chrome Plated CC=Ceramic CM=Chrome-moly LDPE=Low Density Polyethylene

NBR=Medium Nitrile (Buna-N) NY=Nylon PVDF=Polyvinylidene Fluoride RTP=Reinforced Composite S=304SS SNG=Special Blend (Buna) STL=Steel

STCP=Steel/Chrome Plated STZP=Steel/Zinc Plated TNM=Special High Strength

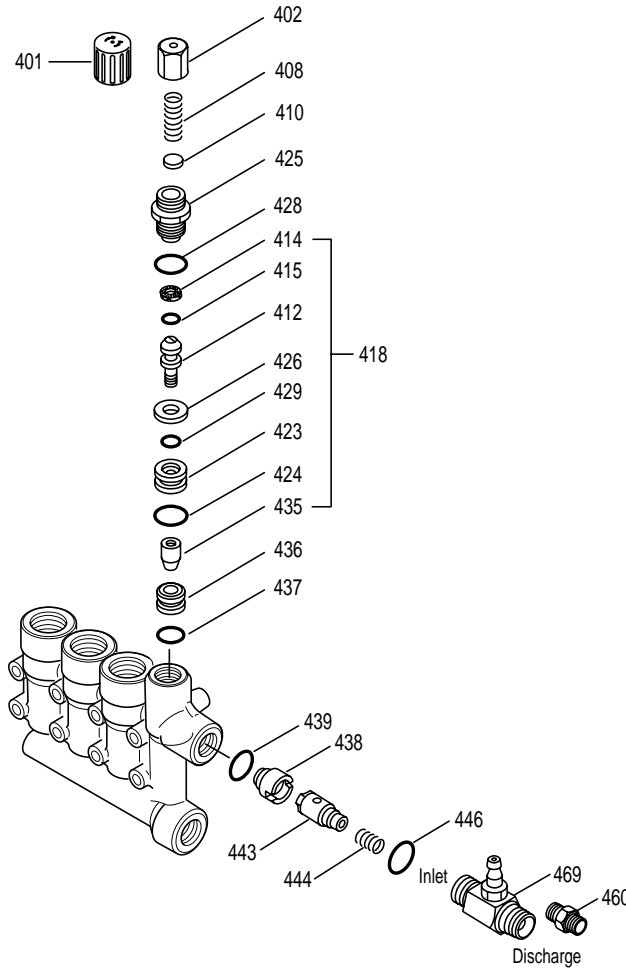
NOTE: Discard Key which may come standard with most engines and use only the key included in this kit.

Center raised pilot guide on the **Adapter Plate** assures proper alignment of pump and engine. Before mounting pump onto engine inspect engine for **recessed seal and bearing guide** to permit adapter to completely seat into recess and four bosses to be flush with engine face.

# INTEGRAL UNLOADER

## SPECIFICATIONS

	<b>U.S. Measure</b>	<b>Metric Measure</b>
Flow.....	3.0 GPM	(11.4 L/M)
PSI Range.....	100-2500 PSI	(7-175 BAR)
Inlet Port .....	3/4" GHF	(3/4" GHF)
Discharge Port .....	M18x1.0	(M18x1.0)



## PARTS LIST

ITEM	PN	MATL	DESCRIPTION	QTY.
401	32088	NY	Handle, Adjusting	1
402	46570	BB	Cap, Adjusting	1
403	45070	BB	Nut, Lock (Not Shown) 3DX29GSI ONLY	1
408	33394	STZP R	Spring, Pressure	1
410	549352	STCP R	Retainer, Spring	1
412	46251	BB	Stem, Piston	1
414	28338	PTFE	Back-up-Ring, Piston Stem	1
415	22056	NBR	O-Ring, Piston Stem - 70D	1
418	548230	BB	Assy, Piston (Incls: 412,414,415,423,424,426,429,435)	1
423	46249	BB	Retainer, Valve	1
424	13966	NBR	O-Ring, Valve Retainer (Outer) - 70D	1
425	46248	BB	Retainer, Piston	1
426	46250	S	Washer	1
428	13969	NBR	O-Ring, Piston Retainer - 70D	1
429	17399	NBR	O-Ring, Valve Retainer (Inner) - 80D	1
435	547969	S	Valve	1
436	548075	S	Seat	1
437	13963	NBR	O-Ring, Seat - 70D	1
438	46254	NY	Seat, Check Valve	1
439	13963	NBR	O-Ring, Check Valve Seat - 70D	1
443	541060	BB	Valve, Check w/O-Ring	1
444	45924	S	Spring	1
446	13969	NBR	O-Ring, Body - 70D	1
460	107681	BB	Fitting, Discharge (3/8" NPTM)	1
468	33099	NBR	Kit, O-Ring (Incls: 414,415,424,428,429,437)	1
—	30378	NBR	Kit, Repair (Incls: 418,428,436,437)	1
469	7232	BB	Injector, Chemical Fixed, 3DX25,27,30GSI	1
	7242	BB	Injector, Chemical Fixed, 3DX29GSI	1

*Italics are optional items.* R Components comply with RoHS Directive.  
 MATERIAL CODES (Not Part of Part Number): BB=Brass  
 NBR=Medium Nitrile (Buna-N) NY=Nylon PTFE=Pure Polytetrafluoroethylene  
 S=304SS STCP=Steel/Chrome Plated STZP=Steel/Zinc Plated

# UNLOADER TYPE

An integral unloader with built-in by-pass is part of the discharge manifold to provide system pressure regulation and pump protection. This pump also includes a fixed chemical injector for chemical application.

## OPERATION:

Pump should be purged of air before commencing with operation. Liquid must flow through the pump without discharge restriction to assure full system pressure is reached

Install a pressure gauge close to the manifold head of the pump to assist in setting system pressure and to periodically monitor system pressure.

Setting and adjusting the unloader pressure must be done with the system turned on. Start the system with the unloader backed off to the lowest pressure setting (counterclockwise direction). Squeeze the trigger and read the pressure on the gauge at the pump. Do not read pressure at the gun or nozzle. If more pressure is desired, release the trigger, turn adjusting cap one quarter turn in a clockwise direction. Squeeze the trigger and read the pressure. Repeat this process until the desired system pressure is reached. Thread locking nut up to adjusting cap (model 3DX29GSI only).

**NOTE:** Pressure is not set at the factory.

## SERVICE:

The unloader should be serviced on the same schedule as the seals in the pump. Refer to 3DX Service Manual for start-up, servicing of seals and valves, torque requirements and diagnosis and maintenance chart.

# FIXED CHEMICAL INJECTOR

## SPECIFICATIONS

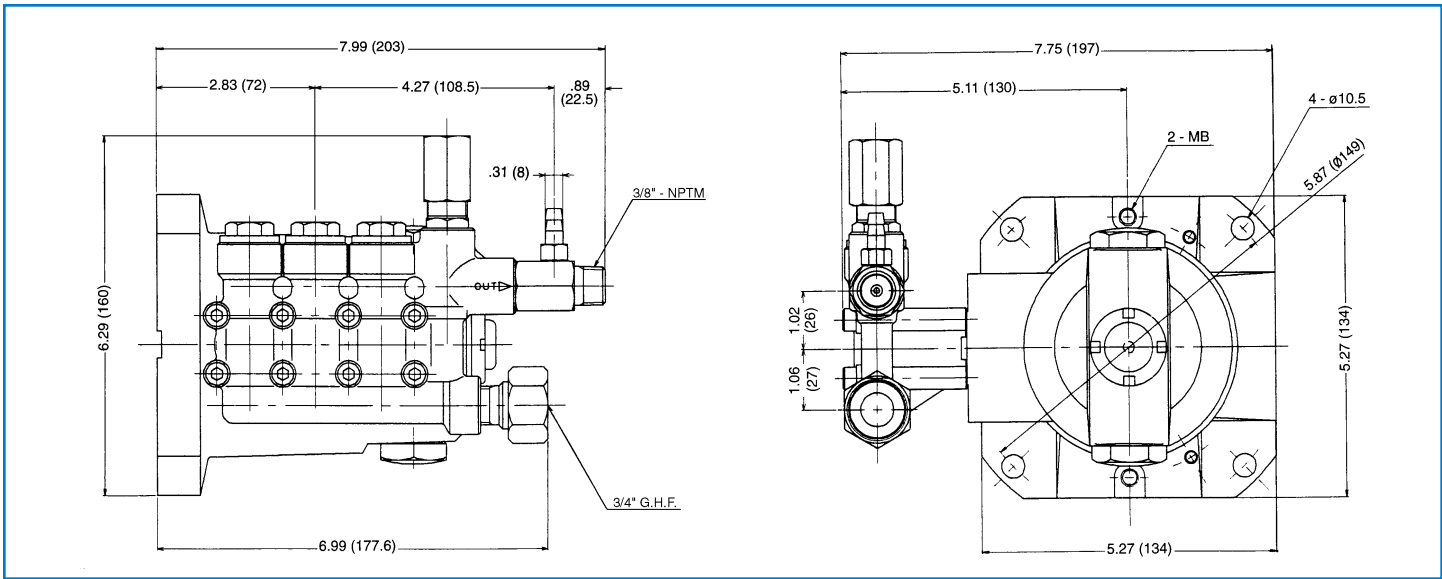
	<b>U.S. Measure</b>	<b>Metric Measure</b>
<b>Model 7232</b>		
GPM.....	3.0 GPM	(11.4 L/M)
Nozzle Orifice.....	2.1 mm	(2.1 mm)
<b>Model 7242</b>		
GPM.....	2.9 GPM	(10.9 L/M)
Nozzle Orifice.....	2.0 mm	(2.0 mm)
<b>Common Specifications</b>		
Hose Barb.....	1/4"	(1/4")
Tapped Barb.....	8/32" UNF	(8/32" UNF)
Inlet Port.....	M18x1.0	(M18x1.0)
Discharge Port.....	3/8" NPTM	(3/8" NPTM)
Weight.....	5.3 oz.	(0.15 kg)
Dimensions.....	2 x 1 x 1.75"	(52 x 25 x 45 mm)

## CHEMICAL INJECTOR PERFORMANCE CHART

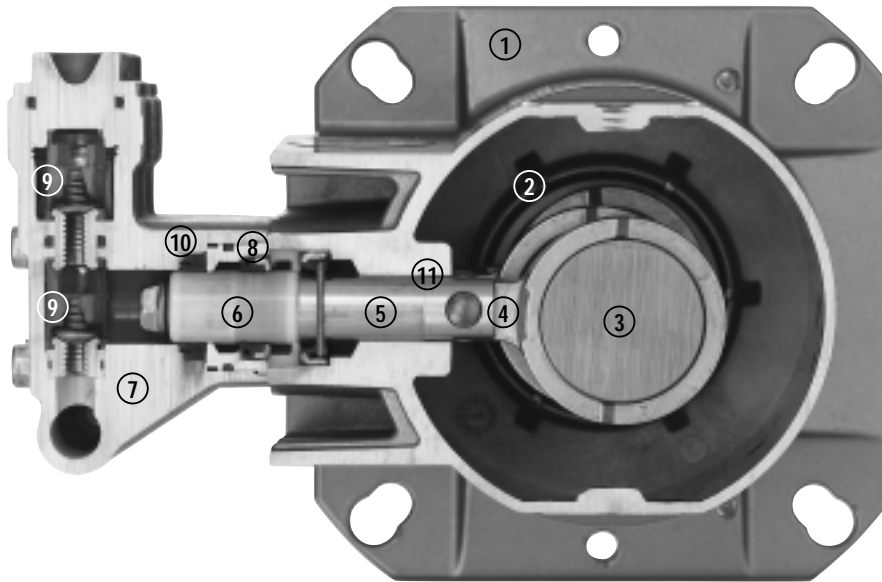
Orifice Size	Injector Model	Maximum Injecting Pressure	Maximum Chemical Draw	Pressure Drop Across Injector At System Pressure (2500 PSI)
2.1 mm	7232	250 PSI	37.2 oz/min	141 PSI
2.0 mm	7242	280 PSI	35.3 oz/min	148 PSI

Optimum performance of chemical injector occurs with a 35 ft. high pressure hose and a minimum 3/8" I.D. The type of hose, extended lengths, reduced I.D. and fittings may create back pressures in excess of the low pressure nozzle rating and prevent the injector from drawing chemical. See Hose Friction Loss Chart in Service Manual. **Deduct hose friction loss from above low PSI Nozzle. Contact CAT PUMPS for assistance with other options.**

**CAUTION:** Deduct the pressure drop shown in the performance chart from your desired system pressure to arrive at the maximum high pressure nozzle rating. This is essential to avoid over-pressurizing the pump.



Models 3DX25GSI, 3DX27GSI, 3DX29GSI, 3DX30GSI



- 1 Die cast flange-style aluminum **crankcase** means high strength, lightweight, and excellent tolerance control.
- 2 Heavy-duty dual crankshaft **bearings** provide extended drive-end life.
- 3 Chrome-moly **crankshaft** provides unmatched strength and surface hardness for long life.
- 4 High strength **connecting rods** assure durability and bearing quality.
- 5 Strong brass **plunger rods** with chrome-moly crosshead pins.
- 6 Special, concentric, high-density, polished solid ceramic **plungers** provide a true wear surface and extended seal life.
- 7 High tensile strength, forged brass **manifold head** with built-in integral unloader and eight mounting screws for exceptional strength.
- 8 100% wet **seal** design adds to service life by allowing pumped liquids to cool and lubricate on both sides.
- 9 **Stacked valve assemblies** include stainless steel valves, seats and springs to provide corrosion-resistance, ultimate seating and extended life.
- 10 Unique design and specially formulated **Hi-Pressure Seals** offer unmatched performance and seal life.
- 11 **Crossheads** are 360° supported for uncompromising alignment.

Products described hereon are covered by one or more of the following U.S. patents 3558244, 3652188, 3809508, 3920356, 3930756 and 5035580

**World Headquarters**  
**CAT PUMPS**  
 1681 - 94th Lane N.E. Minneapolis, MN 55449-4324  
 Phone (763) 780-5440 — FAX (763) 780-2958  
 e-mail: techsupport@catpumps.com  
 www.catpumps.com

**International Inquiries**  
 FAX (763) 785-4329  
 e-mail: intlsales@catpumps.com



**CAT PUMPS (U.K.) LTD.**  
 1 Fleet Business Park, Sandy Lane, Church Crookham  
 FLEET, Hampshire, GU52 8BF, England  
 Phone Fleet 44 1252-622031 — Fax 44 1252-626655  
 e-mail: sales@catpumps.co.uk www.catpumps.co.uk

**N.V. CAT PUMPS INTERNATIONAL S.A.**  
 Heiveldekens 6A, B-2550 Kontich, Belgium  
 Phone 32-3-450.71.50 — Fax 32-3-450.71.51  
 e-mail: cpi@catpumps.be www.catpumps.be

**CAT PUMPS DEUTSCHLAND GmbH**  
 Buchwiese 2, D-65510 Idstein, Germany  
 Phone 49 6126-9303 0 — Fax 49 6126-9303 33  
 e-mail: catpumps@t-online.de www.catpumps.de