



Stainless Steel Rechargeable Pulsation Dampener

Models **6013**
6014, 6015

FEATURES

- Nitrogen precharged to eliminate moisture and bladder deterioration.
- Convenient bottom port for easy mounting directly onto discharge manifold.
- Sealed valve for positive pressure lock.
- 316 Stainless Steel housing for special compatibility.
- Adjustable precharge with optimum setting at 60% of system pressure.

SPECIFICATIONS

	U.S. Measure	Metric Measure
MODEL 6013		
Maximum Flow	40 GPM	(151 L/M)
Maximum Working Pressure	2000 PSI	(140 BAR)
Precharge	450 PSI	(30 BAR)
Temperature Range	+5° to 300°F	(-15 to 150°C)
Volume45 cu. in.	(0.74 L)
Safety Factor	4/1	(4/1)
Bladder Construction	FPM	(FPM)
Port Size	1" NPTM	(1" NPTM)
Diameter	4.44"	(113 mm)
Length	7.79"	(198 mm)
Weight	6.28 lbs.	(2.8 kg)
MODEL 6014		
Maximum Flow	25 GPM	(95 L/M)
Maximum Working Pressure	2400 PSI	(170 BAR)
Precharge	450 PSI	(30 BAR)
Temperature Range	+5° to 180°F	(-15 to 82°C)
Volume20 cu. in.	(0.328 L)
Safety Factor	4/1	(4/1)
Bladder Construction	NBR	(NBR)
Port Size	3/4" NPTM	(3/4" NPTM)
Diameter	3.66"	(93 mm)
Length	5.91"	(150 mm)
Weight	2.9 lbs.	(1.31 kg)
MODEL 6015		
Maximum Flow	70 GPM	(265 L/M)
Maximum Working Pressure	1500 PSI	(105 BAR)
Precharge	450 PSI	(30 BAR)
Temperature Range	+5° to 180°F	(-15 to 82°C)
Volume	120 cu. in.	(1.97 L)
Safety Factor	4/1	(4/1)
Bladder Construction	NBR	(NBR)
Port Size	1-1/4" NPTM	(1-1/4" NPTM)
Diameter	6.30"	(160 mm)
Length	9.0"	(229 mm)
Weight	9.3 lbs.	(4.2 kg)

“Customer confidence is our greatest asset”

INSTALLATION INSTRUCTIONS

SELECTION: The Prrrrr-O-Lator should be selected to match the flow and pressure requirements of the system and satisfy the liquid compatibility.

INSTALLATION: The Prrrrr-O-Lator should be mounted directly onto the pump discharge manifold for optimum pulsation dampening and to avoid system vibration damage.

OPERATION: The Prrrrr-O-Lator should be precharged with **dry Nitrogen only**.

⚠ WARNING

Never use oxygen or air. This could cause an explosion.

The Prrrrr-O-Lator is standardly precharged to 450 PSI, however, it may be adjusted to offer a more precise control of pulsation in critical applications such as reverse osmosis.

At a standard temperature of 70°F, optimum accumulator performance is obtained when the precharge is calibrated at 50% of the system operating pressure.

NOTE

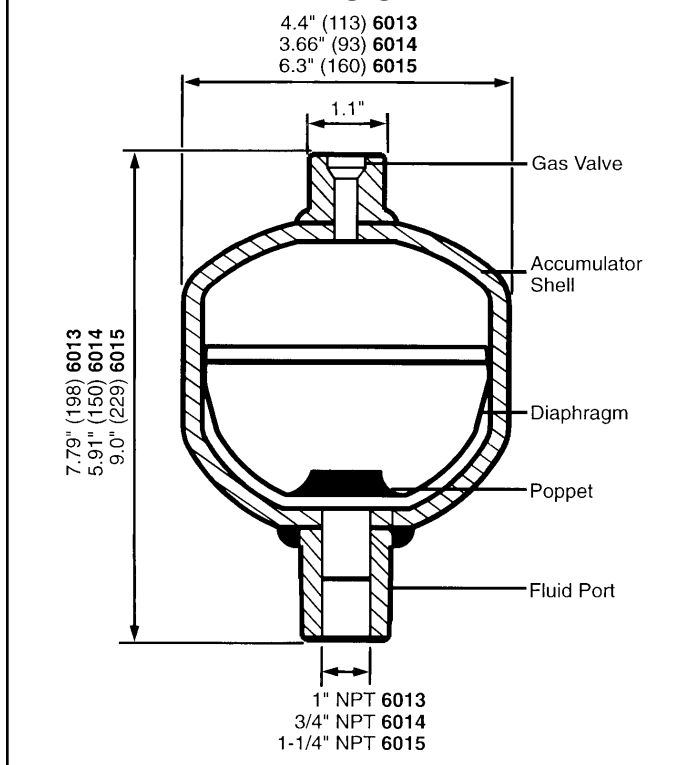
When operating at the lower temperatures, precharge should be 15% higher or 65% of system pressure. When operating at higher temperatures, precharge should be 15% lower or 35% of system pressure.

This precharge should be checked every 12 months for normal operation and more frequently for continuous-duty operation.

NOTE

Up to 50 PSI precharge pressure can be lost during the checking of your precharge.

DIMENSIONAL



Products described hereon are covered by one or more of the following U.S. patents 3558244, 3652188, 3809508, 3920356, 3930756 and 5035580

FILLING AND GAUGING INSTRUCTIONS

The following are the steps in both checking the precharge of the accumulator and recharging if there should be a loss of pressure or a need for adjustment.

1. Before checking your precharge, **system pressure should be at zero. TURN SYSTEM OFF.**
2. SLIGHTLY loosen the sealed valve at the top of the accumulator using a 6mm long handled allen wrench. Thread on the Filling and Gauging Assembly hand tight.
3. Be certain the SIDE BLEED VALVE on the gauging assembly is CLOSED.
4. Slowly open the LARGE "T" VALVE at the top of the gauging assembly until completely open. The gauge on the assembly will read the precharge on the accumulator.
5. Completely back off (CLOSE) the valve on the gas regulator, open the nitrogen tank valve and read the nitrogen tank pressure on the first gauge.
6. If the reading on the gauge assembly is 50% of the system pressure, close the top "T" valve and proceed to step 9.
7. If the precharge is too high, keep the top "T" valve open and slowly open the small "T" valve on the side of the gauging assembly to bleed of pressure.
8. If the pressure is less than 50% of the system pressure, slowly open the gas regulator valve until the desired precharge is reached on the second gauge.
9. When the gauge reads the required precharge, close the "T" valve on the top of the gauging assembly to lock the precharge in the accumulator.
10. Back off (CLOSE) the gas regulator.
11. Proceed with opening the small side "T" valve on the gauging assembly to relieve (bleed-off) pressure in the assembly and on the second gauge on the gas regulator.
12. Close the side "T" valve on the gauging assembly and remove the assembly from the accumulator.
13. Tighten the accumulator sealed valve and resume operation.

- 30940 Complete Filling and Gauging Assembly (Optional)
- 30941 Allen Wrench (Included in Assembly)
- 6099 Pressure Gauge 1/8" BSP, 3500 PSI Backmount (Included in Assembly)



World Headquarters CAT PUMPS

1681 - 94th Lane N.E. Minneapolis, MN 55449-4324
Phone (763) 780-5440 — FAX (763) 780-2958
e-mail: sales@catpumps.com
www.catpumps.com

International Inquiries FAX (763) 785-4329

e-mail: intlsales@catpumps.com



"The World's Most Dependable Pumps"

CAT PUMPS (U.K.) LTD.

1 Fleet Business Park, Sandy Lane, Church Crookham, Fleet
Hampshire GU52 8BF, England
Phone Fleet 44 1252-622031 — Fax 44 1252-626655
e-mail: sales@catpumps.co.uk

N.V. CAT PUMPS INTERNATIONAL S.A.

Heiveldekens 6A, 2550 Kontich, Belgium
Phone 32-3-450.71.50 — Fax 32-3-450.71.51
e-mail: cpi@catpumps.be www.catpumps.be

CAT PUMPS DEUTSCHLAND GmbH

Buchwiese 2, D-65510 Idstein, Germany
Phone 49 6126-9303 0 — Fax 49 6126-9303 33
e-mail: catpumps@t-online.de www.catpumps.de