



Inline Strainer

**Models 7104, 7105
7106, 7107
7108**

FEATURES

- Durable nylon body for corrosion resistance.
- Stainless steel reinforced ports for added pipe connection support.
- Easily cleaned without removing strainer or inlet plumbing.
- Flow from inside out so sediment collects inside filter.
- Optional mesh size and clear body available.

SPECIFICATIONS

	U.S. Measure	Metric Measure
MODEL 7104 AND 7104.4		
Suction Flow.....	6 GPM	(23 L/M)
Pressurized Flow.....	10 GPM	(38 L/M)
Inlet/Discharge Port.....	1/2" NPTF	(1/2" NPTF)
Weight6 oz.	(0.17 Kg)
Dimensions.....	3.6 x 2.95 x 5.35"	(91.5 x 75 x 136 mm)
MODEL 7105 AND 7105.5		
Suction Flow.....	15 GPM	(57 L/M)
Pressurized Flow.....	20 GPM	(76 L/M)
Inlet/Discharge Port.....	3/4" NPTF	(3/4" NPTF)
Weight7 oz.	(0.20 Kg)
Dimensions.....	3.6 x 2.95 x 5.35"	(91.5 x 75 x 136 mm)
MODEL 7106 AND 7106.6		
Suction Flow.....	20 GPM	(76 L/M)
Pressurized Flow.....	25 GPM	(95 L/M)
Inlet/Discharge Port.....	1" NPTF	(1" NPTF)
Weight16 oz.	(0.46 Kg)
Dimensions.....	5.0 x 4.1 x 6.35"	(127 x 104 x 161 mm)
MODEL 7107 AND 7107.7		
Suction Flow.....	35 GPM	(133 L/M)
Pressurized Flow.....	50 GPM	(189 L/M)
Inlet/Discharge Port.....	1-1/4" NPTF	(1-1/4" NPTF)
Weight18 oz.	(0.51 Kg)
Dimensions.....	5.0 x 4.1 x 7.0"	(127 x 104 x 178 mm)
MODEL 7108 AND 7108.8		
Suction Flow.....	60 GPM	(227 L/M)
Pressurized Flow.....	75 GPM	(284 L/M)
Inlet/Discharge Port.....	1-1/2" NPTF	(1-1/2" NPTF)
Weight19 oz.	(0.52 Kg)
Dimensions.....	5.13 x 4.1 x 8.13"	(130 x 104 x 206.5 mm)

COMMON SPECIFICATIONS

Mesh.....	80	(80)
Micron Equivalent.....	178	(178)
Inlet Pressure @ 70°F	10 to 150 PSI	(0.7 to 10.5 BAR)
@ 125°F	10 to 100 PSI	(0.7 to 7 BAR)
@ 160°F	10 to 30 PSI	(0.7 to 2 BAR)
Max. Temperature	160°F	(71°C)

Order .Suffix Numbers for clear body, eg: 7104.4 or 7105.5

“Customer confidence is our greatest asset”

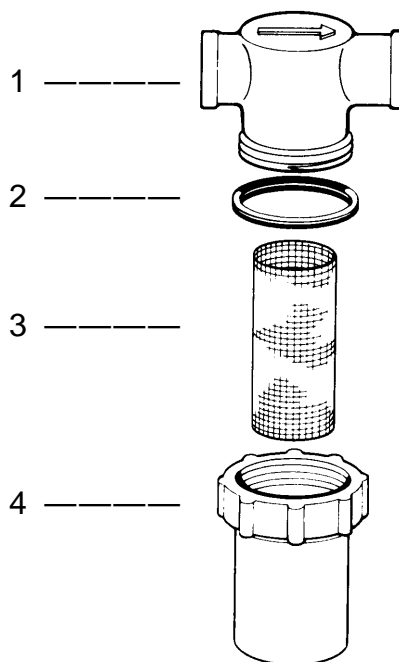
SELECTION: Select a strainer appropriate for the flow and pumped liquid in your system. **Typically the filter capacity should be two times the pump flow rate.** Both white and clear bowls are available. A regular inspection will avoid problems. The clear bowl will immediately show a clogged screen.

INSTALLATION: An inline strainer is normally installed on the inlet side of the pump. The arrow molded in the strainer cap indicates the direction of flow through the strainer. A shut-off valve is recommended between the strainer and liquid source for convenience when cleaning the strainer.

OPERATION: Flow through the strainer is from the inside out, collecting the sediment inside the filter. Regular checking and cleaning of the screen is suggested to avoid restricting the inlet flow to the pump.

MAINTENANCE: Flush screen regularly and reinstall into body. Check gasket for cuts or wear and replace if necessary to assure proper seal. Thread body and cap hand tight for proper seal.

EXPLODED VIEW



INLET FILTER WORKSHEET

For proper selection of your inlet filter, the following criteria should be considered:

Maximum System Flow _____ GPM (L/M)

Maximum Inlet Pressure _____ PSI (BAR)

Liquid being pumped/Concentration _____ / _____ %
 _____ / _____ %

Maximum temperature of liquid pumped _____ °F (°C)

Density of liquid pumped _____ Spec. Gravity

Nature of Solids _____

Size of Solids _____ microns Volume of Solids _____ ppm

Viscosity of liquid pumped _____ CPS _____ SSU

Maximum pressure drop when clean _____ PSI (BAR)

Mesh size _____ (80 standard)

Frequency of cleaning (per) _____ Day _____ Week _____ Month

Material of body _____ Strainer _____

Clearance limitations beyond pump _____ inches (mm)

PARTS LIST

ITEM	PART NO.	MATL	DESCRIPTION	QTY
1	—	—	Body	1
2	33071	NBR	Gasket, 1/2", 3/4"	1
2	33073	NBR	Gasket, 1", 1-1/4", 1-1/2"	1
2	33082	FPM	Gasket, 1/2", 3/4"	1
2	33083	FPM	Gasket, 1", 1-1/4", 1-1/2"	1
3	33072	S	Screen, 1/2", 3/4" 80 mesh	1
3	33074	S	Screen, 1" 80 mesh	1
3	33075	S	Screen, 1-1/4" 80 mesh	1
3	33076	S	Screen, 1-1/2" 80 mesh	1
4	33077	NY	Bowl, clear, 1/2", 3/4"	1
4	33078	NY	Bowl, white, 1/2", 3/4"	1
4	33079	NY	Bowl, clear, 1", 1-1/4", 1-1/2"	1
4	33080	NY	Bowl, white, 1", 1-1/4", 1-1/2"	1

MATERIAL CODES (Not Part of Part Number): FPM=Fluorocarbon
 NBR=Medium Nitrile (Buna-N) NY=Nylon S=304SS

Optional Mesh sizes available

WARRANTY

90 Day Warranty

Refer to complete CAT PUMPS Warranty for further information.

Products described hereon are covered by one or more of the following U.S. patents 3558244, 3652188, 3809508, 3920356, 3930756 and 5035580

World Headquarters

CAT PUMPS

1681 - 94th Lane N.E. Minneapolis, MN 55449-4324

Phone (763) 780-5440 — FAX (763) 780-2958

e-mail: techsupport@catpumps.com

www.catpumps.com

International Inquiries

FAX (763) 785-4329

e-mail: intlsales@catpumps.com



The Pumps with Nine Lives

CAT PUMPS (U.K.) LTD.

1 Fleet Business Park, Sandy Lane, Church Crookham

FLEET, Hampshire, GU52 8BF, England

Phone Fleet 44 1252-622031 — Fax 44 1252-626655

e-mail: sales@catpumps.co.uk

N.V. CAT PUMPS INTERNATIONAL S.A.

Heiveldkens 6A, B-2550 Kontich, Belgium

Phone 32-3-450.71.50 — Fax 32-3-450.71.51

e-mail: cpi@catpumps.be www.catpumps.be

CAT PUMPS DEUTSCHLAND GmbH

Buchwiese 2, D-65510 Idstein, Germany

Phone 49 6126-9303 0 — Fax 49 6126-9303 33

e-mail: catpumps@t-online.de www.catpumps.de