



Quick Start Valve

Model

7126

FEATURES

- Relieves pump discharge line pressure during start-up phase.
- Requires less gas engine or electric motor start-up power.
- Optional by-pass routing either to the inlet of the pump or to drain.

SELECTION: The Quick Start Valve is designed to minimize the system start-up pressure and should be used with a pressure lock-up style unloader.

INSTALLATION: The Quick Start Valve should be installed **after a pressure lock-up style unloader**. It may be installed **either before or after a regulator**. It is not required in systems using a flow sensitive unloader as start-up will already occur at low pressure.

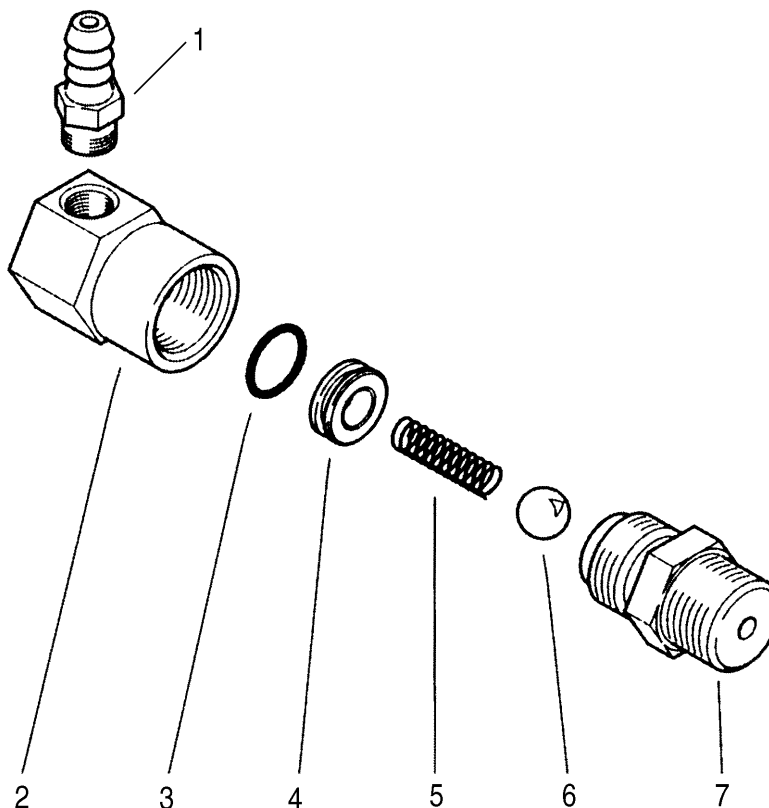
SPECIFICATIONS

	U.S. Measure	Metric Measure
Maximum Flow	8 GPM	(30 L/M)
Maximum Pressure.....	4050 PSI	(280 Bar)
Opening Pressure.....	105 PSI	(7.25 Bar)
Maximum Temperature.....	176°F	(80°C)
Inlet Port.....	3/8" NPTM	(3/8" NPTM)
Barb Size.....	1/4"	1/4"
Weight	5.0 oz	(0.15 kg)
Dimensions	2.1 x .87 x 2.1"	(53 x 22 x 53 mm)

OPERATION: Before start-up connect a small hose to the barb and route back to the inlet or drain to the floor. Upon start-up the Quick Start Valve registers the line pressure. The ball is forced off the seat and allows a small amount of fluid to be bled off permitting the unit to start up without a load.

“Customer confidence is our greatest asset”

EXPLODED VIEW



PARTS LIST

ITEM	P/N	MATL	DESCRIPTION	QTY
1	33922	BB	Barb, Hose (1/8"NPTM x 1/4" Hose Barb)	1
2	—	BB	Body	1
3	—	NBR	O-Ring, Seat	1
4	—	NBR	Seat w/O-Ring	1
5	33925	S	Spring, Ball	1
6	32289	SSSS	Ball, Seat (11/32")	1
7	31930	BB	Fitting, Inlet (3/8" NPTM)	1

Material Codes (Not Part of Part Number):

BB=Brass NBR=Medium Nitrile (Buna-N) S=304SS SSSS=440SS

TROUBLESHOOTING

Continual weeping	<ul style="list-style-type: none"> • Seat worn • Foreign particles trapped between ball and seat
Water leaking between inlet fitting and body	<ul style="list-style-type: none"> • Reapply PTFE thread tape or pipe thread sealant

WARRANTY

90 Day Warranty

Refer to complete CAT PUMPS Warranty for further information.

Products described hereon are covered by one or more of the following U.S. patents 3558244, 3652188, 3809508, 3920356, 3930756 and 5035580

World Headquarters

CAT PUMPS

1681 - 94th Lane N.E. Minneapolis, MN 55449-4324

Phone (763) 780-5440 — FAX (763) 780-2958

e-mail: techsupport@catpumps.com

www.catpumps.com

International Inquiries

FAX (763) 785-4329

e-mail: intlsales@catpumps.com



The Pumps with Nine Lives

CAT PUMPS (U.K.) LTD.

1 Fleet Business Park, Sandy Lane, Church Crookham

FLEET, Hampshire, GU52 8BF, England

Phone Fleet 44 1252-622031 — Fax 44 1252-626655

e-mail: sales@catpumps.co.uk

N.V. CAT PUMPS INTERNATIONAL S.A.

Heiveldkens 6A, B-2550 Kontich, Belgium

Phone 32-3-450.71.50 — Fax 32-3-450.71.51

e-mail: cpi@catpumps.be www.catpumps.be

CAT PUMPS DEUTSCHLAND GmbH

Buchwiese 2, D-65510 Idstein, Germany

Phone 49 6126-9303 0 — Fax 49 6126-9303 33

e-mail: catpumps@t-online.de www.catpumps.de