



Vari-Nozzle

Models 7930-7980

FEATURES

- Easy push forward permits low pressure flow for chemical application or pull back for return to high pressure rinse.
- Smooth, easy right or left rotation adjusts spray angle from 0° to 60° for cleaning flexibility.
- Molded, insulated grip for comfortable operation and adjustment.
- Color coded I.D. plug for easy identification of nozzle size.

SELECTION: The Vari-Nozzle easily adjusts from high to low pressure and is used with the downstream chemical injector to apply chemical at low pressure. Select the Vari-Nozzle most suitable to the flow and pressure of the system from the Vari-Nozzle Selection Chart.

INSTALLATION: Install the Vari-Nozzle after the high pressure shut-off gun onto any 1/4" lance for easy accessibility to adjust from high to low pressure during operation.

SPECIFICATIONS

	U.S. Measure	Metric Measure
Flow Range	1.5 to 7.5 GPM	(5.7 to 28 L/M)
Pressure Range	100 to 3500 PSI	(7 to 245 BAR)
Maximum Temperature	195°F	(90°C)
Inlet Fitting	1/4" BSPF	(1/4" BSPF)
Weight	5.1 oz.	(.144 kg)
Dimensions	4.50 x 1.79"	(114 x 45.5 mm)

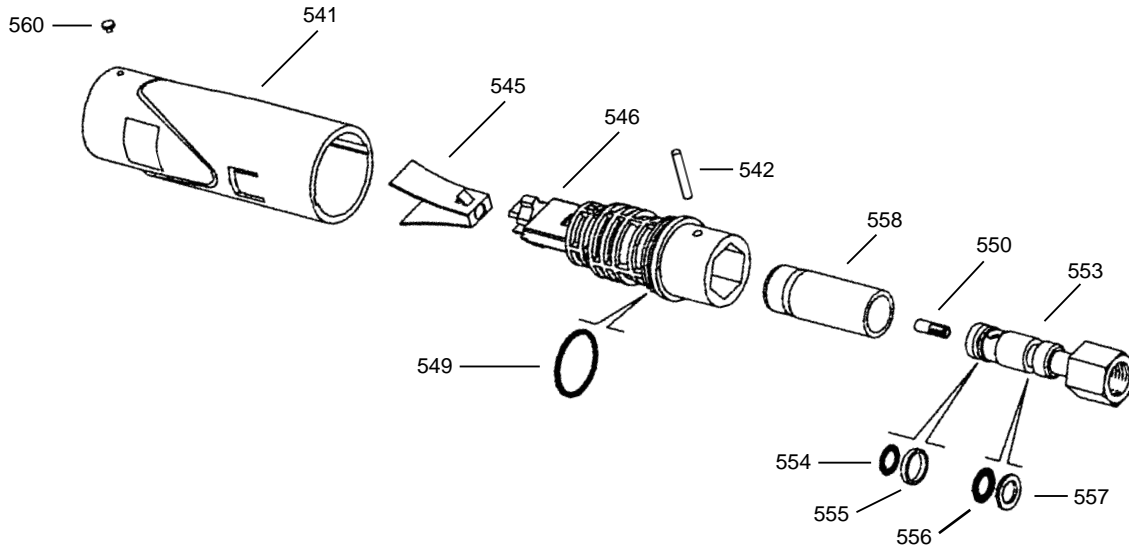
OPERATION: The Vari-Nozzle has two adjustments: pressure and spray angle. To adjust from high to **low pressure**, simply grasp the black sleeve and **push forward**. To return to **high pressure**, **pull back** on the sleeve. There is a click to indicate the sleeve is in position. **Do not place your hand over the end of the Vari-Nozzle sleeve.**

In either the low or high pressure mode, the sleeve rotates right to left to change the spray angle from 0° to 60° (low pressure) and 0° to 30° (high pressure) to permit the desired intensity and coverage during cleaning.

“Customer confidence is our greatest asset”

EXPLODED VIEW

Vari-Nozzle Models 7930-7980



PARTS LIST

ITEM	PART NO.	MATL	DESCRIPTION	QTY.
541	43225	NY	Sleeve, Black	1
542	43231	S	Pin (M3x19)	1
545	43267	S	Spring, Flat	1
546	43291	NY	Body	1
549	43278	NBR	O-Ring, Body Nozzle	1
550	43149	S	Nozzle 3.0	1
	43150	S	Nozzle 3.5	1
	43151	S	Nozzle 4.0	1
	43152	S	Nozzle 4.5	1
	43153	S	Nozzle 5.0	1
	43154	S	Nozzle 5.5	1
	43155	S	Nozzle 6.0	1
	43157	S	Nozzle 7.0	1
	43158	S	Nozzle 8.0	1
553	43290	BB	Stem	1
554	—	NBR	O-Ring, Stem, Front	1
555	43230	PTFE	Gasket, Stem, Front	1
556	43287	NBR	O-Ring, Stem, Rear	1
557	43289	PTFE	Back-up-Ring, Stem, Rear	1
558	43288	BB	Bushing Nozzle	1
560	43159	NY	Plug, I.D., White, 3.0	1
	43160	NY	Plug, I.D., Brown, 3.5	1
	43161	NY	Plug, I.D., Dark Yellow, 4.0	1
	43162	NY	Plug, I.D., Blue, 4.5	1
	43170	NY	Plug, I.D., Light Purple, 5.0	1
	43164	NY	Plug, I.D., Dark Red, 5.5	1
	43165	NY	Plug, I.D., Dark Green, 6.0	1
	43167	NY	Plug, I.D., Orange, 7.0	1
	43168	NY	Plug, I.D., Silver, 8.0	1

Material Codes (Not Part of Part No.):
 BB=Brass NBR=Medium Nitrile (Buna-N) NY=Nylon
 PTFE=Pure Polytetrafluoroethylene S=304SS

TROUBLESHOOTING

Problem	Probable Cause	Solution
Leaking	<ul style="list-style-type: none"> Worn O-Rings Contaminated liquid 	<ul style="list-style-type: none"> Replace body and stem O-Rings, Back-up-Ring, Gasket. Check water supply. Clean or replace O-Rings.
Stays in high pressure	<ul style="list-style-type: none"> Damage or clogged nozzle 	<ul style="list-style-type: none"> Check water supply. Replace nozzle.
Leaking at fitting	<ul style="list-style-type: none"> Cracked fitting 	<ul style="list-style-type: none"> Hand tighten onto lance to avoid damage to fitting.

VARI-NOZZLE SELECTION CHART

PN	Size	Nozzle Volume (GPM) at Various Pressures (PSI)				
		1000	1500	2000	3000	3500
7930	3.0	1.5	1.85	2.10	2.60	2.85
7935	3.5	1.75	2.17	2.45	3.05	3.32
7940	4.0	2.00	2.50	2.80	3.50	3.80
7945	4.5	2.20	2.80	3.00	3.90	4.30
7950	5.0	2.50	3.10	3.40	4.40	4.70
7955	5.5	2.80	3.40	3.80	4.80	5.20
7960	6.0	3.00	3.70	4.20	5.20	5.60
7970	7.0	3.50	4.30	5.00	6.10	6.60
7980	8.0	4.00	5.00	5.60	7.00	7.50

WARRANTY

90 Day Warranty
 Refer to complete CAT PUMPS Warranty for further information.

Products described hereon are covered by one or more of the following U.S. patents 3558244, 3652188, 3809508, 3920356, 3930756 and 5035580

World Headquarters
CAT PUMPS
 1681 - 94th Lane N.E. Minneapolis, MN 55449-4324
 Phone (763) 780-5440 — FAX (763) 780-2958
 e-mail: techsupport@catpumps.com
 www.catpumps.com



CAT PUMPS (U.K.) LTD.
 1 Fleet Business Park, Sandy Lane, Church Crookham
 FLEET, Hampshire, GU52 8BF, England
 Phone Fleet 44 1252-622031 — Fax 44 1252-626655
 e-mail: sales@catpumps.co.uk

N.V. CAT PUMPS INTERNATIONAL S.A.
 Heiveldkens 6A, B-2550 Kontich, Belgium
 Phone 32-3-450.71.50 — Fax 32-3-450.71.51
 e-mail: cpi@catpumps.be www.catpumps.be

CAT PUMPS DEUTSCHLAND GmbH
 Buchwiese 2, D-65510 Idstein, Germany
 Phone 49 6126-9303 0 — Fax 49 6126-9303 33
 e-mail: catpumps@t-online.de www.catpumps.de

International Inquiries
 FAX (763) 785-4329
 e-mail: intlsales@catpumps.com