










## FEATURES

- Optional STL, S, SS, BB materials for liquid compatibility.
- Optional pressure ratings to meet system pressure requirements.
- Multiple sizes and styles to match pump ports and accessories keeping mounting compact and well supported.

## High Pressure Fittings

Models 990620

thru 991667

| Nipple  |                             |   |               | Elbow Tee Cross   |        |   |                   |  |               | Reducing Bushing  |                         |   |               |
|---|-----------------------------|---|---------------|---|--------|---|-------------------|--|---------------|---|-------------------------|---|---------------|
|  |                             |  |               |  |        |  |                   |  |               |  |                         |  |               |
| Part No.  | Fitting Size                | Matl.   | Weight (Lbs.) | Part No.  | PSI    | Fitting Size  | Type              | Matl.  | Weight (Lbs.) | Part No.  | Fitting Size            | Matl.   | Weight (Lbs.) |
| <b>150 PSI</b>  |                             |   |               |   |        |   |                   |  |               |   |                         |   |               |
| 991756  | 1/4" NPTM x Close           | STL   | .09           | 991876  | 125    | 1" NPTF   | Elbow (Street)    | BB   | .65           | <b>150 PSI</b>  |                         |   |               |
| 991677  | 3/4" NPTM x Close           | SS  | .15           | 991617  | 150    | 1/2" NPTF   | Elbow (Street)    | SS   | .22           | 991683  | 1-1/2" NPTM x 1" NPTF   | SS  | .82           |
| 991650  | 1-1/2" NPTM x Close         | SS  | .26           | 991675  | 150    | 1" NPTF   | Elbow (Street)    | SS   | .65           | <b>3000 PSI</b>   |                         |   |               |
| <b>2000 PSI</b>   |                             |   |               | 991648  | 150    | 1-1/4" NPTF   | Elbow (Street)    | SS   | 1.26          | 990647  | 1-1/2" NPTM x 1" NPTF   | S   | .61           |
| 990620  | 1/4" NPTM x Close           | STL   | .03           | 991676  | 150    | 1-1/2" NPTF   | Elbow (Street)    | SS   | 1.35          | 991954  | 2-1/2" NPTM x 2" NPTF   | SS  | 1.10          |
| 990621  | 3/8" NPTM x Close           | STL   | .04           | 991684  | 150    | 3/4" NPTF   | Elbow             | SS   | .45           | 991955  | 2" NPTM x 1-1/2" NPTF   | SS  | .79           |
| 990622  | 1/2" NPTM x Close           | STL   | .07           | 991651  | 150    | 3/4" NPTF   | Tee               | SS   | .60           | <b>6000 PSI</b>   |                         |   |               |
| 990623  | 3/4" NPTM x Close           | STL   | .13           | 991652  | 150    | 1" NPTF   | Tee               | SS   | 1.05          | 990626  | 3/8" NPTM x 1/4" NPTF   | STL   | .04           |
| 990624  | 1" NPTM x Close             | STL   | .18           | 991649  | 150    | 1-1/2" NPTF   | Tee               | SS   | 1.83          | 990627  | 1/2" NPTM x 1/4" NPTF   | STL   | .09           |
| 990645  | 1-1/4" NPTM x Close         | STL   | .50           | 991613  | 150    | 1/2" NPTF   | Cross             | SS   | .75           | 990628  | 1/2" NPTM x 3/8" NPTF   | STL   | .06           |
| 991620  | 1/4" NPTM x Close           | SS  | .03           | 990660  | 200    | 3/4" NPTF   | Cross             | BB   | .75           | 990629  | 3/4" NPTM x 3/8" NPTF   | STL   | .15           |
| 991621  | 3/8" NPTM x Close           | SS  | .04           | 991654  | 1000   | 1/4" NPTF   | Elbow             | SS   | .41           | 990630  | 3/4" NPTM x 1/2" NPTF   | STL   | .10           |
| 991622  | 1/2" NPTM x Close           | SS  | .07           | 990661  | 1000   | 1/2" NPTF   | Cross             | BB   | .51           | 990631  | 1" NPTM x 1/2" NPTF     | STL   | .28           |
| 991623  | 3/4" NPTM x Close           | SS  | .14           | 991609  | 3000   | 1/2" NPTF   | Elbow (Street)    | SS   | .44           | 990632  | 1" NPTM x 3/4" NPTF     | STL   | .21           |
| 991624  | 1" NPTM x Close             | SS  | .19           | 991665  | 3000   | 1/2" NPTF   | Elbow             | SS   | .37           | 990633  | 1-1/4" NPTM x 3/4" NPTF | STL   | .48           |
| <b>6000 PSI</b>   |                             |   |               | 991635  | 2000   | 3/8" NPTF   | Tee               | SS   | .34           | 990634  | 1-1/4" NPTM x 1" NPTF   | STL   | .36           |
| 990615  | 1/2" NPTM x 3/8" NPTM (Hex) | STL   | .08           | 990636  | 2000   | 1/2" NPTF   | Tee               | STL  | .62           | 991626  | 3/8" NPTM x 1/4" NPTF   | SS  | .04           |
| 990640  | 1/4" NPTM x Hex             | STL   | .09           | 990637  | 2000   | 3/4" NPTF   | Tee               | STL  | .98           | 991627  | 1/2" NPTM x 1/4" NPTF   | SS  | .09           |
| 990641  | 3/8" NPTM x Hex             | STL   | .15           | 990638  | 2000   | 1" NPTF   | Tee               | STL  | 1.79          | 991628  | 1/2" NPTM x 3/8" NPTF   | SS  | .06           |
| 990642  | 1/2" NPTM x Hex             | STL   | .15           | 990639  | 2000   | 1-1/4" NPTF   | Tee               | STL  | 2.7           | 991629  | 3/4" NPTM x 3/8" NPTF   | SS  | .07           |
| 990643  | 3/4" NPTM x Hex             | STL   | .25           | 991614  | 2000   | 1/4" NPTF   | Tee               | SS   | .51           | 991630  | 3/4" NPTM x 1/2" NPTF   | SS  | .10           |
| 990644  | 1" NPTM x Hex               | STL   | .38           | 991635  | 2000   | 3/8" NPTF   | Tee               | SS   | .40           | 991631  | 1" NPTM x 1/2" NPTF     | SS  | .27           |
| 991612  | 3/8" NPTM x 1/4" NPTM (Hex) | SS  | .04           | 991636  | 2000   | 1/2" NPTF   | Tee               | SS   | .69           | 991632  | 1" NPTM x 3/4" NPTF     | SS  | .18           |
| 991608  | 1/2" NPTM x 3/8" NPTM (Hex) | SS  | .16           | 991637  | 2000   | 3/4" NPTF   | Tee               | SS   | 1.01          | 991633  | 1-1/4" NPTM x 3/4" NPTF | SS  | .48           |
| 991616  | 1/2" NPTM x 1/4" NPTM (Hex) | SS  | .17           | 991638  | 2000   | 1" NPTF   | Tee               | SS   | 3.01          | 991634  | 1-1/4" NPTM x 1" NPTF   | SS  | .33           |
| 991640  | 1/4" NPTM x Hex             | SS  | .09           | 991639  | 2000   | 1-1/4" NPTF   | Tee               | SS   | 4.65          | <b>10,000 PSI</b>   |                         |   |               |
| 991647  | 3/8" NPTM x Hex             | SS  | .09           | 990949  | 2000   | 1/2" NPTF   | Cross             | STL  | .90           | 991667  | 1/2" NPTM x 1/4" NPTF   | SS  | .10           |
| 991646  | 1/2" NPTM x Hex             | SS  | .17           | 991615  | 2000   | 3/4" NPTF   | Cross             | SS   | .98           | 991660  | 3/4" NPTM x 1/2" NPTF   | SS  | .13           |
| 991641  | 3/8" NPTM x Close           | SS  | .07           | 990614  | 5000   | 1/4" NPTF   | Elbow             | STL  | .08           | 991662  | 1" NPTM x 3/4" NPTF     | SS  | .30           |
| 991643  | 3/4" NPTM x Close           | SS  | .18           | 990608  | 4500   | 3/8" NPTF   | Elbow (Street)    | STL  | .22           |   |                         |   |               |
| 991644  | 1" NPTM x Close             | SS  | .29           | 991671  | 4500   | 3/8" NPTF   | Elbow (Street)    | SS   | .23           |   |                         |   |               |
| 991645  | 1-1/4" NPTM x Close         | SS  | .56           | 990609  | 4500   | 3/8" NPTF   | Tee (Male Branch) | STL  | .30           |   |                         |   |               |
| <b>10,000 PSI</b>   |                             |   |               | 990616  | 6000   | 1/4" NPTF   | Elbow             | SS   | .15           |   |                         |   |               |
| 991661  | 1/2" NPTM x Close           | S   | .20           | 990655  | 6000   | 3/8" NPTF   | Tee               | STL  | .26           |   |                         |   |               |
| 991663  | 3/4" NPTM x Close           | S   | .35           | 990656  | 6000   | 1/2" NPTF   | Tee               | STL  | 2.24          |   |                         |   |               |
|   |                             |   |               | 990657  | 6000   | 3/4" NPTF   | Tee               | STL  | 3.69          |   |                         |   |               |
|   |                             |   |               | 990658  | 6000   | 1" NPTF   | Tee               | STL  | 5.23          |   |                         |   |               |
|   |                             |   |               | 991655  | 6000   | 3/8" NPTF   | Tee               | SS   | .45           |   |                         |   |               |
|   |                             |   |               | 991656  | 6000   | 1/2" NPTF   | Tee               | SS   | 2.38          |   |                         |   |               |
|   |                             |   |               | 991657  | 6000   | 3/4" NPTF   | Tee               | SS   | 3.76          |   |                         |   |               |
|   |                             |   |               | 991658  | 6000   | 1" NPTF   | Tee               | SS   | 5.39          |   |                         |   |               |
|   |                             |   |               | 991659  | 6000   | 1-1/4" NPTF   | Tee               | SS   | 7.75          |   |                         |   |               |
|   |                             |   |               | 990448  | 10,000 | 1/2" NPTF   | Tee               | SSS  | 5.15          |   |                         |   |               |
|   |                             |   |               | 991669  | 10,000 | 3/4" NPTF   | Tee               | S  | 5.25          |   |                         |   |               |

Material Codes: BB=Brass S=304SS SS=316SS SSS=416SS STL=Steel

*"Customer confidence is our greatest asset"*

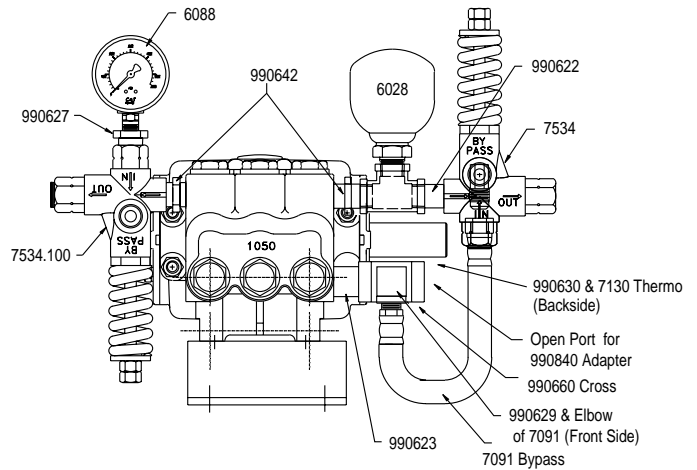
**SELECTION:** Select the fittings to match the system pressure rating and the type of material compatible with the pump head and pumped liquid. Do not restrict the inlet or discharge of the pump.

**INSTALLATION:** Install inlet and discharge accessories directly to the pump ports when possible or use a tee to accommodate multiple accessories. See typical installation views.

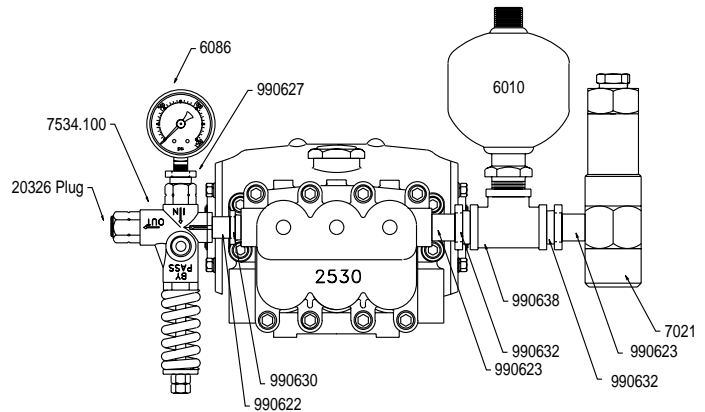
**MAINTENANCE:** With each seal and valve change, check all fitting connections for any leaks. Low pressure, fluctuating pressure or vibration are often the result of poor connections. Use PTFE thread tape or pipe thread sealant to assure a leak proof fit.

## TYPICAL INSTALLATIONS

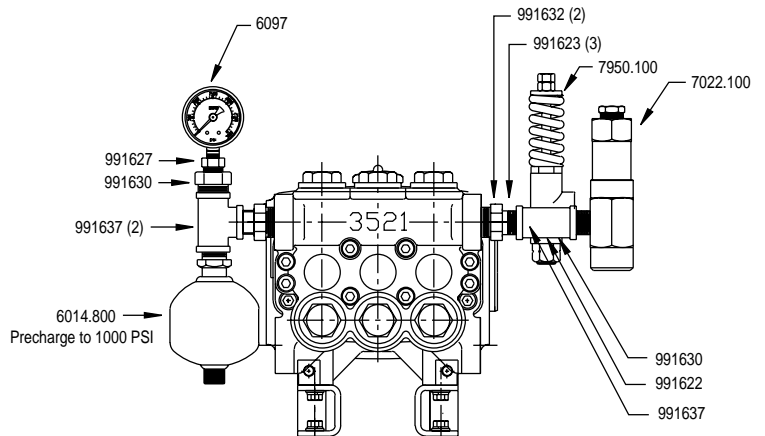
### 10 GPM at 1500 PSI - STL



### 20 GPM at 1000 PSI - STL



### 23 GPM at 2000 PSI - SS



Products described hereon are covered by one or more of the following U.S. patents 3558244, 3652188, 3809508, 3920356, 3930756 and 5035580

#### World Headquarters

CAT PUMPS

1681 - 94th Lane N.E. Minneapolis, MN 55449-4324

Phone (763) 780-5440 — FAX (763) 780-2958

e-mail: techsupport@catpumps.com

www.catpumps.com

#### International Inquiries

FAX (763) 785-4329

e-mail: intl@catpumps.com



The Pumps with Nine Lives

#### CAT PUMPS (U.K.) LTD.

1 Fleet Business Park, Sandy Lane, Church Crookham, Fleet

Hampshire GU52 8BF, England

Phone Fleet 44 1252-622031 — Fax 44 1252-626655

e-mail: sales@catpumps.co.uk

#### N.V. CAT PUMPS INTERNATIONAL S.A.

Heiveldekens 6A, 2550 Kontich, Belgium

Phone 32-3-450.71.50 — Fax 32-3-450.71.51

e-mail: cpi@catpumps.be www.catpumps.be

#### CAT PUMPS DEUTSCHLAND GmbH

Buchwiese 2, D-65510 Idstein, Germany

Phone 49 6126-9303 0 — Fax 49 6126-9303 33

e-mail: catpumps@t-online.de www.catpumps.de