



Stainless Steel Pop-Off Valve Secondary Relief Valve

Models 9960
 9961
 9962

FEATURES

- Special hardened stainless steel seat and Acetal needle valve eliminates weeping.
- Lightweight, compact design quickly and conveniently mounts directly into discharge line.
- Provides back-up protection as a secondary relief valve to assure complete pressure relief for maximum pump and system protection.

SPECIFICATIONS

	U.S. Measure	Metric Measure
MODEL 9960		
System Pressure Range.....	300-1500 PSI	(20-105 BAR)
Inlet Port.....	1/4" NPTM	(1/4" NPTM)
MODEL 9961		
System Pressure Range.....	1000-3000 PSI	(70-210 BAR)
Inlet Port.....	1/4" NPTM	(1/4" NPTM)
MODEL 9962		
System Pressure Range.....	1000-4000 PSI	(70-275 BAR)
Inlet Port	1/4" NPTM	(1/4" NPTM)
COMMON SPECIFICATIONS		
Flow Range	1-6 GPM	(3.8-23 L/M)
Maximum Temperature	180°F	(82°C)
Barb	3/4"	(3/4")
Weight.....	2.79 oz.	(.08 kg)
Dimensions	0.75 x 2.375"	(19 x 60 mm)

⚠ WARNING

All systems require both a primary pressure regulating device (i.e., regulator, unloader) and a secondary pressure safety relief device (i.e., pop-off valve, safety valve). Failure to install such relief devices could result in personal injury or damage to the pump or to system components. CAT PUMPS does not assume any liability or responsibility for the operation of a customer's high pressure system.

“Customer confidence is our greatest asset”

SELECTION Select a Pop-Off Valve to meet or exceed the flow and pressure requirements of the system. The valve with the Silver spring covers the 300-1500 PSI range, the Blue spring covers the 1000-3000 range and the Red spring covers the 1000-4000 PSI range.

INSTALLATION The Pop-Off Valve should be mounted in the discharge line before any pressure regulator or unloader in the system to provide optimum protection. The exit flow from the Pop-Off Valve should be returned to a reservoir or drain to the floor, not to the inlet of the pump. Following final pressure adjustment, attach a hose over the barb end of the Pop-Off Valve and commence operation.

OPERATION This Pop-Off Valve provides back-up protection to the primary relief valve for complete pressure relief and maximum pump and system protection.

PRESSURE ADJUSTMENT Before system is brought up to pressure ensure that the primary pressure regulating device is set at its minimum setting. The adjustment screw is internal on this Pop-Off Valve. Using a 1/4" allen wrench, the pressure setting may be **increased** by turning **clockwise** or **decreased** by turning **counterclockwise**. Adjust the Pop-Off Valve to a high pressure setting by turning the adjustment screw approximately 1/2" from flush. Bring your system up to desired pressure using the primary pressure device. **NOTE: If the Pop-Off Valve relieves water in this process increase its setting.** With your system operating at full pressure with the primary pressure device, slowly back the Pop-Off adjustment screw until a small amount of water is dripping. Immediately adjust in 1/2 turn at a time until dripping stops; (no more than [3] 1/2 turns should be required). The Pop-Off Valve is now set at approximately 10% over system pressure.

REMEMBER, THE POP-OFF VALVE IS A SECONDARY SAFETY DEVICE. IT DOES NOT REPLACE A PRESSURE REGULATOR OR UNLOADER.

PARTS LIST

P/N	MATL	DESCRIPTION	QTY
31135	S	Seat, Peened	1
31128	D	Valve, Needle	1
30956	S	Spring, Silver (1500 PSI)	1
30957	S	Spring, Blue (3000 PSI)	1
33957	S	Spring, Red (4000 PSI)	1
—	SS	Body - 1/4" NPTM	1
30959	BB	Adjuster, Pressure	1

Material Codes (Not Part of Part No.):

BB=Brass D=Acetal S=304SS SS=316SS

TROUBLESHOOTING

Valve cycles	• Valve is improperly set. Repeat adjustment procedure.
Valve continually by-passes	• Seat or needle valve is worn. Replace as needed.

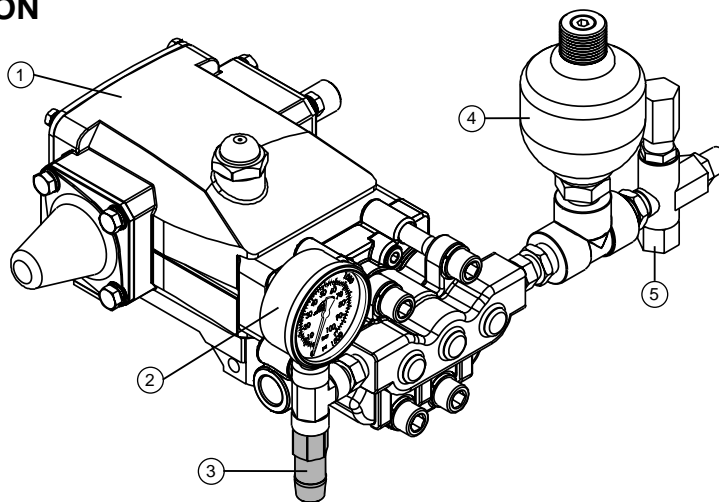
WARRANTY

90 Day Warranty

Refer to complete CAT PUMPS Warranty for further information.

TYPICAL POP-OFF VALVE INSTALLATION

- 1 Triplex Plunger Pump
- 2 Pressure Gauge
- 3 Pop-off Valve (secondary relief valve)
- 4 Pulsation Dampener
- 5 Pressure Sensitive Regulating Unloader



Products described hereon are covered by one or more of the following U.S. patents 3558244, 3652188, 3809508, 3920356, 3930756 and 5035580

World Headquarters

CAT PUMPS

1681 - 94th Lane N.E. Minneapolis, MN 55449-4324

Phone (763) 780-5440 — FAX (763) 780-2958

e-mail: techsupport@catpumps.com

www.catpumps.com

International Inquiries

FAX (763) 785-4329

e-mail: intlsales@catpumps.com



The Pumps with Nine Lives

CAT PUMPS (U.K.) LTD.

1 Fleet Business Park, Sandy Lane, Church Crookham

FLEET, Hampshire, GU52 8BF, England

Phone Fleet 44 1252-622031 — Fax 44 1252-626655

e-mail: sales@catpumps.co.uk www.catpumps.co.uk

N.V. CAT PUMPS INTERNATIONAL S.A.

Heiveldkens 6A, B-2550 Kontich, Belgium

Phone 32-3-450.71.50 — Fax 32-3-450.71.51

e-mail: cpi@catpumps.be www.catpumps.be

CAT PUMPS DEUTSCHLAND GmbH

Buchwiese 2, D-65510 Idstein, Germany

Phone 49 6126-9303 0 — Fax 49 6126-9303 33

e-mail: catpumps@t-online.de www.catpumps.de