



TECH BULLETIN

025
09/82

Published regarding engineering changes and improvements

SUBJECT: New Crankcase Model 333 & 430

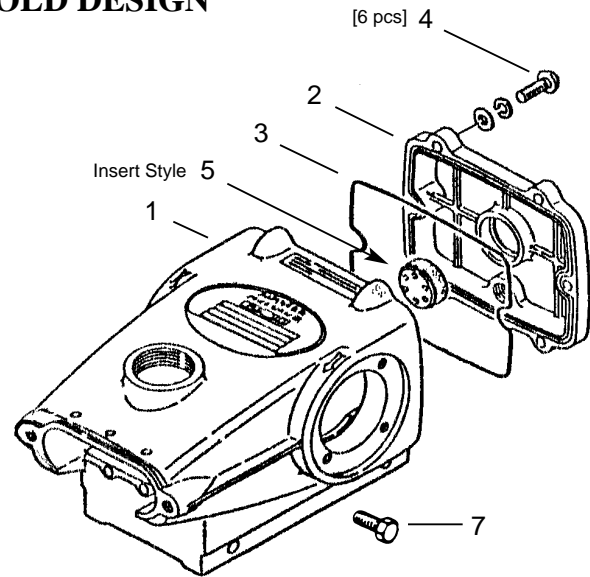
Starting with serial number 6810101, the models 333 and 430 pumps have a four bolt rear cover instead of six bolts. This change was made to standardize tooling when the plunger pumps were added to the pump line.

When ordering the revised design crankcase, it is necessary to order all the new design related items: rear cover, oil gauge, screws and cover o-ring.

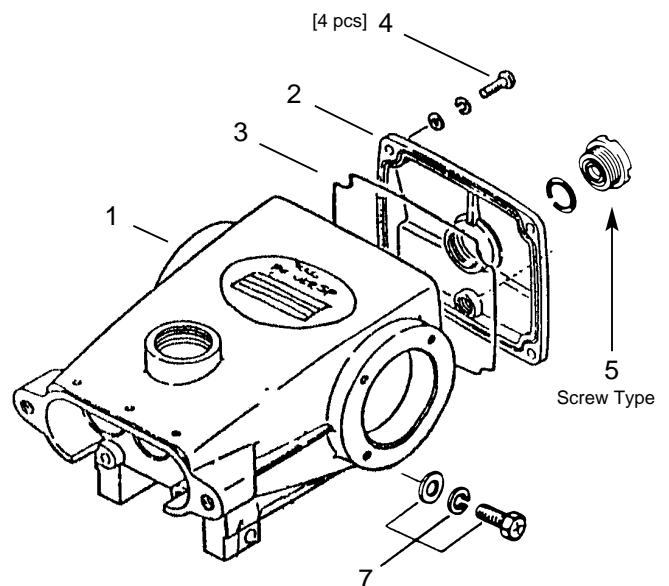
CAT PUMPS will stock parts for both designs, with the exception of the PN 27978 crankcase. This old part number will automatically be substituted with all the new replacement parts.

At the same time, the crankcase cover screws are changing to a combination head style. The new screw will allow use of either a hex socket or phillips head tool.

OLD DESIGN



NEW DESIGN



Part Numbers

Item #	Description	Part Numbers	
		Old Design	New Design
1	Crankcase	27978	43735
2	Rear Cover	27980	43339
3	O-Ring, Rear Cover	27705	43340
4	Screw, Rear Cover	19200	92520
5	Oil Gauge, Bubble	22289	43987
6	O-Ring, Oil Gauge	Not Used	44428
7	Screw, Bearing Case	25811	92519

CAT PUMPS
Technical Services Department

Rev. 04/96