



TECH BULLETIN

033
05/84

Published regarding engineering changes and improvements

SUBJECT: Crankcase and Rear Cover Change for Models 270, 279, 280, 290

The following is a summary of the crankcase changes which have occurred in the 3 Frame pumps. Due to popular demand, the large oil filler cap has been incorporated back into these pumps. Note the Serial Number of the pump you are servicing to assure the proper parts are ordered.

MODEL 270 & 279	Before SN 2840101	After	After SN 7850101
Crankcase	43939	44276	44657
Crankcase Cover	43453	43339	43339
Oil Filler Cap	43211	44374	43211
O-Ring, Crankcase Cover	26087	43340	43340
O-Ring, Oil Cap	14177	44377	14177
Bubble Oil Gauge	43987	43987	43987
O-Ring, Bubble Oil Gauge	20285	44428	44428
Dimension Change			
Overall Length	260 MM (10.2")	261 MM (10.3")	261 MM (10.3")
Additional Changes which are effective with SN 2840101:			
Inlet Manifold Socket Head Bolt (M10x35)	87927	87931	—
O-Ring, Inlet Adapter	14181	17547	—
MODEL 280 & 290	Before SN 3840101	After	After SN 6850101
Crankcase	28766	44274	44658
Crankcase Cover	43845	43339	43339
Oil Filler Cap	43211	44374	43211
O-Ring Crankcase Cover	26087	43340	43340
O-Ring, Oil Cap	14177	44377	14177
Bubble Oil Gauge	43987	43987	43987
O-Ring, Bubble Oil Gauge	20285	44428	44428
Dimension Change			
Overall Length	268 MM (10.55")	269 MM (10.59")	269 MM (10.59")

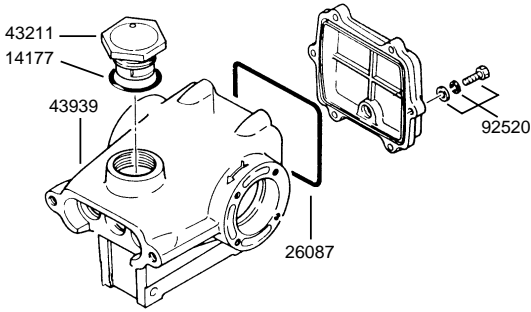
Please turn page

CAT PUMPS
Technical Services Department

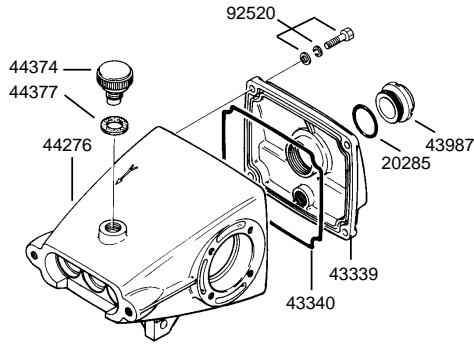
Rev. 11/90

Models 270 & 279

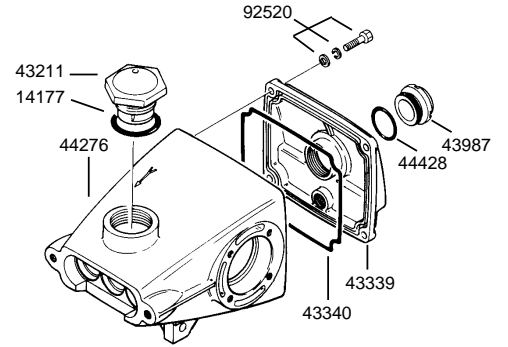
Before SN 2840101



Intermediate

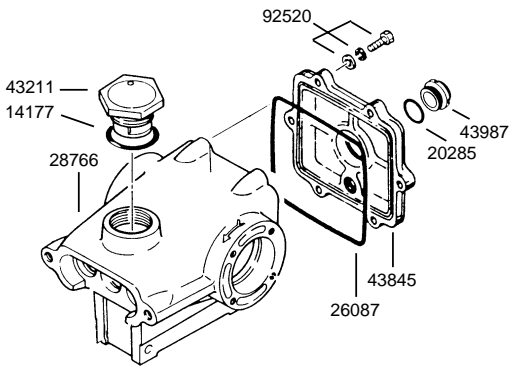


After S/N 7850101

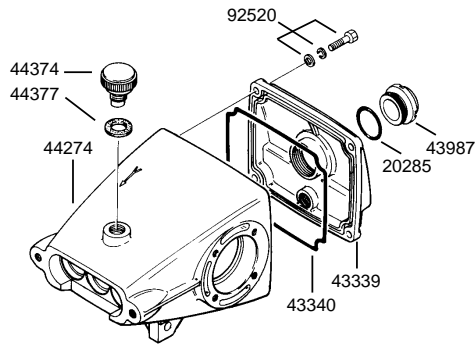


Models 280 & 290

Before SN 3840101



Intermediate



After S/N 6850101

