



TECH BULLETIN

080
10/99

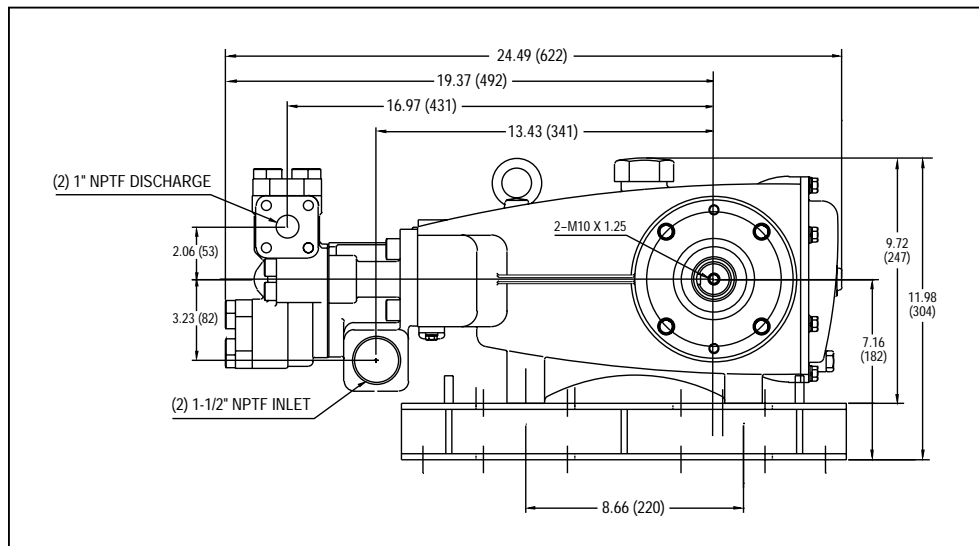
Published regarding engineering changes and improvements

SUBJECT: Extended Discharge Manifold - 3507 and 3517

To provide added strength, enhance quality control and provide better appearance, the 3507 and 3517 discharge manifolds have been extended. This change will increase the overall length of the pump by 3mm.

The same bolts are used to mount these new discharge manifolds onto the pump. The old discharge manifold will automatically be updated with this new version.

Below is the revised dimensional drawing and a chart showing the part number changes that are effective with D98 production.



Model	Item	Prior to 1994	Prior to 1999	New PN	Description
		Old PN	Old PN		
3507	185	44079	46478	46561	Discharge Manifold
	188	89628	89981	89981	Screw (M12x70)
	299	—	814562	816755	Complete Head
3517	185	44094	46479	46565	Discharge Manifold
	188	89628	89981	89981	Screw (M12x70)
	299	—	—	816750	Complete Head

CAT PUMPS
Technical Services Department

Rev. 06/04