



TECH BULLETIN

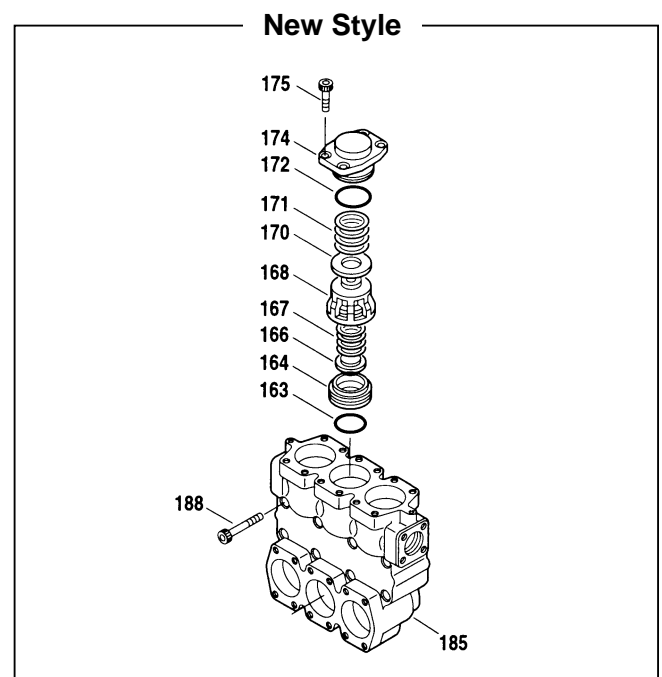
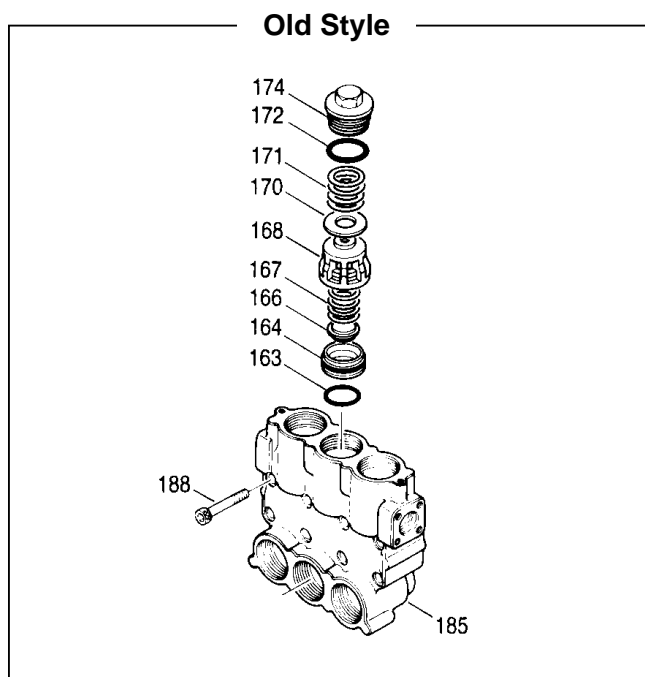
082
01/00

Published regarding engineering changes and improvements

SUBJECT: Bolt Down Valve Plug - 6761

For added strength and ease in servicing, the current M70 threaded valve plug has been replaced with a bolt down style Valve Plug and four M16 screws to secure it to the manifold. The new valve plug design requires a new Discharge Manifold. The old discharge manifold will be discontinued and replaced with the new style. The old plugs will remain available for servicing older models while quantities last or there is a demand. This change is effective with March 2000 production.

Item	Description	Current PN	MATL	New PN	MATL	Qty
174	Plug, Valve	48428	SS	48572	SSL	6
175	Screw (M16x35)	N/A		48573	S	24
185	Manifold, Discharge	45774	SSL	48489	SSL	1
299	Head, Complete	—	SSL	816667	SSL	1



CAT PUMPS
Technical Services Department

Rev. 06/04